

# VTX955

## 1U Open VPX Rackmount Chassis, Two 3U Payload Slots with RTM Support



VTX955

## Key Features

- 1U Open VPX Rackmount platform
- Two 3U VPX payload slots
- Compatible with 0.8-inch, 0.85-inch and 1.0-inch modules
- Support for Rear Transition Modules (RTMs)
- Redundant cooling in push/pull side-to-side airflow configuration

## Benefits

- 500W Universal AC Power Input
- Electrical, mechanical, software, and system-level expertise in house
- Full system supply from industry leader
- AS9100 and ISO9001 certified company



**vadatech**  
THE POWER OF VISION



# VTX955

The VTX955 is a 1U Open VPX chassis with two 3U VPX payload slots. The chassis can accept 0.8-inch, 0.85-inch and 1.0-inch pitch modules. The chassis is ideal for commercial deployment.

## Power Supplies

The VTX955 has an AC input power supply to provide 500W. The chassis supplies 85W/slot and the AC input is universal.

## Cooling and Temperature Sensors

The VTX955 provides left to right cooling to the VPX slots designed to meet ANSI/VITA 65 providing 18 CFM per slot at 0.24 in-H<sub>2</sub>O @ 5000 feet. The VTX955 provides push/pull cooling to the RTM slots.

## Backplane

The backplane provides two 3U VPX payload slots in a star configuration, fully compliant to VITA 46.0 baseline specification with additional support to the RTMs, compliant to VITA 46.10 and OpenVPX VITA65.



Figure 1: Front View



Figure 2: Rear View

# Backplane Configuration

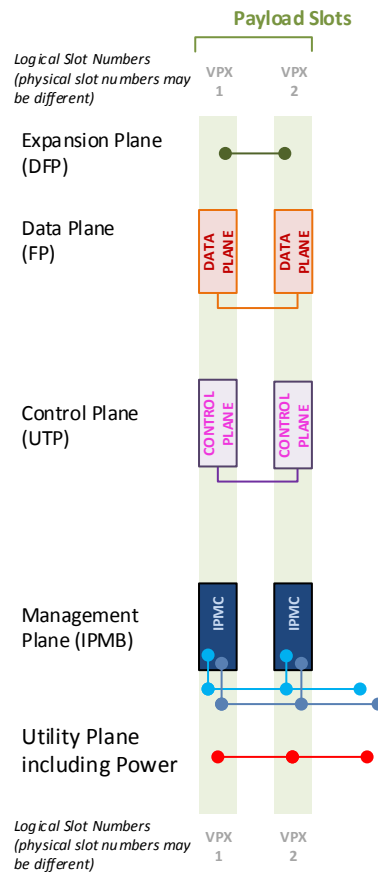


Figure 3: Backplane Connections

The initial offering on VTX955 is based on backplane profile BKP3-DIS02\_15.2.2-n. VadaTech can also design additional VITA standard backplane profiles for customer specific applications. Please contact your local sales team for more information.

# Chassis Layout



Figure 4: Chassis Layout - Front



Figure 5: Chassis Layout - Rear

# Specifications

<b>Architecture</b>		
<b>Physical</b>	<b>Dimensions</b>	Height: 1U Width: 19" Depth: 12" Weight: TBD lbs.
<b>Type</b>	<b>VPX Shelf</b>	2 Payload Slots up to 1.0" pitch
<b>Standards</b>		
<b>VPX</b>	<b>Type</b>	VITA-46.0 Baseline Specification
<b>Configuration</b>		
<b>Power</b>		500W Universal AC input
<b>Environmental</b>		See Ordering Options
<b>Cooling</b>		Right to Left
<b>Other</b>		
<b>MTBF</b>		MIL Hand book 217-F@ TBD hrs
<b>Certifications</b>		Designed to meet FCC, CE and UL certifications, where applicable
<b>Standards</b>		VadaTech is certified to both the ISO9001:2000 and AS9100B:2004 standards
<b>Warranty</b>		Two (2) years

## INTEGRATION SERVICES AND APPLICATION-READY PLATFORMS

VadaTech has a full ecosystem of VPX products including chassis platforms, shelf managers, VPX modules, Switch and Payload Boards, RTMs, Power Modules, and more. The company also offers integration services as well as pre-configured Application-Ready Platforms. Please contact VadaTech Sales for more information.

# Ordering Options

## VTX955 – 000-000-0HJ

		<b>H = Environmental</b>
		See Environmental Specification* table option H description
		<b>J = Conformal Coating</b>
		0 = No coating 1 = Humiseal 1A33 polyurethane 2 = Humiseal 1B31 acrylic

### Environmental Specification\*

Option H	H = 0	
Operating Temperature	-5°C to +55°C	
Storage Temperature	-40°C to +85°C	
Operating Vibration	0.04 g2/Hz max	
Storage Vibration	20g	
Humidity	95% non-condensing	

\* Please contact VadaTech Sales for other specification

## Related Products

VPX518



- AMC FPGA carrier for FMC per VITA-57
- Xilinx Zynq-7000 FPGA in FFG-900 package(XC7Z100 or XC7Z045) with embedded ARM®
- Supported by DAQ Series™ data

VPX592



- 3U FPGA carrier for FPGA Mezzanine Card (FMC) per VITA-46 and VITA-57
- Xilinx Kintex UltraScale™ XCKU115 FPGA
- High-performance clock jitter cleaner

VPX599



- 3U FPGA Dual DAC and dual ADC per VITA-46
- Xilinx Kintex UltraScale™ XCKU115 FPGA
- Dual ADC @ 6.4GSPS 12-bits

# Contact

## VadaTech Corporate Office

198 N. Gibson Road, Henderson, NV 89014  
Phone: +1 702 896-3337 | Fax: +1 702 896-0332

## Asia Pacific Sales Office

7 Floor, No. 2, Wenhua Street, Neihu District, Taipei 114, Taiwan  
Phone: +886-2-2627-7655 | Fax: +886-2-2627-7792

## VadaTech European Sales Office

VadaTech House, Bulls Copse Road, Southampton, SO40 9LR  
Phone: +44 2380 016403

[info@vadatech.com](mailto:info@vadatech.com) | [www.vadatech.com](http://www.vadatech.com)

# Choose VadaTech

## We are technology leaders

- First-to-market silicon
- Constant innovation
- Open systems expertise

## We commit to our customers

- Partnerships power innovation
- Collaborative approach
- Mutual success

## We deliver complexity

- Complete signal chain
- System management
- Configurable solutions

## We manufacture in-house

- Agile production
- Accelerated deployment
- AS9100 accredited



**vadatech**  
THE POWER OF VISION

## Trademarks and Disclaimer

The VadaTech logo is a registered trademark of VadaTech, Inc. Other registered trademarks are the property of their respective owners. AdvancedTCA™ and the AdvancedMC™ logo are trademarks of the PCI Industrial Computers Manufacturers Group. All rights reserved. Specification subject to change without notice.

© 2017 VadaTech Incorporated, All rights reserved.  
DOC NO. 4FM737-12 REV 01 | VERSION 1.0- MAR/18