

# VTX950

**1U Open VPX Rackmount  
Chassis with Intel Xeon E5  
Processor, Two 3U Payload  
Slots with RTM Support**



VTX950

## Key Features

- 1U Open VPX Rackmount platform
- Intel® Xeon® Processor Intel® Xeon E5-2648L v4
- Two 3U VPX payload slots
- Serial Over LAN (SOL)
- 32 GB of DDR4 memory with ECC
- TPM (Trusted Platform Module)
- 64GB of Flash
- Support for Rear Transition Modules (RTMs)
- Removable Fan tray
- Shelf Manager for health management
- Redundant cooling in push/pull side-to-side airflow configuration

## Benefits

- 500W Universal AC Power Input
- Electrical, mechanical, software, and system-level expertise in house
- Full system supply from industry leader
- AS9100 and ISO9001 certified company



**vadatech**  
THE POWER OF VISION



# VTX950

The VTX950 is a 1U Open VPX chassis with two 3U VPX payload slots. The chassis has integrated Intel® Xeon® Processor E5-2648L v4 which has 14 Cores @ 1.8 GHz. The VTX950 has on board 64GB of Flash for OS and application. The VTX950 has on board 64GB of Flash for OS and application. Further the chassis has an on board layer 2 managed switch. Each VPX modules connect to the CPU via PCIe x8 Gen3. The Chassis comes with VadaTech third generation Chassis shelf manager to provide health management.

## Power Supplies

The VTX950 has an AC input power supply to provide 500W. The chassis supplies 85W/slot and the AC input is universal.

## Cooling and Temperature Sensors

The VTX950 provides right to left cooling to the VPX slots designed to meet ANSI/VITA 65 providing 18 CFM per slot at 0.24 in-H<sub>2</sub>O @ 5000 feet. The VTX950 provides push/pull cooling to the RTM slots.

## Backplane

The backplane provides two 3U VPX payload slots in a star configuration, fully compliant to VITA 46.0 baseline specification with additional support to the RTMs, compliant to VITA 46.10 and OpenVPX VITA65.



Figure 1: Front View



Figure 2: Rear View

# Backplane Configuration

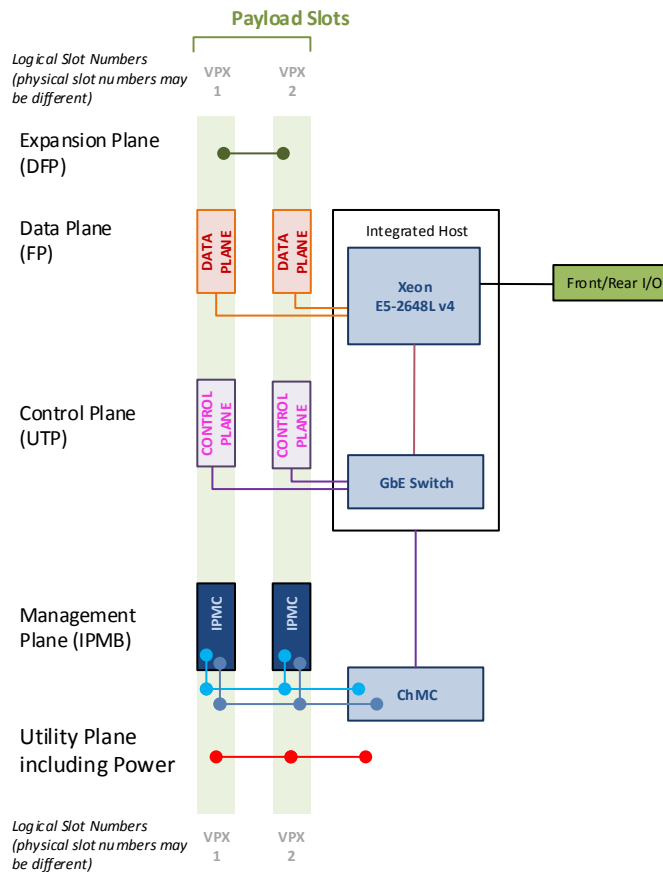


Figure 3: Backplane Connections

The initial offering on VTX950 is based on backplane profile BKP3-CEN02\_15.2.2-n. VadaTech can also design additional VITA standard backplane profiles for customer specific applications. Please contact your local sales team for more information.

# Chassis Layout



Figure 4: Chassis Layout - Front



Figure 5: Chassis Layout - Rear

# Specifications

<b>Architecture</b>		
<b>Physical</b>	<b>Dimensions</b>	Height: 1U Width: 19" Depth: 12" Weight: TBD lbs.
<b>Type</b>	<b>VPX Shelf</b>	2 Payload Slot up to 1.0" pitch with integrated Intel CPU
<b>Standards</b>		
<b>VPX</b>	<b>Type</b>	VITA-46.0 Baseline Specification
<b>Configuration</b>		
<b>Power</b>		500W Universal AC input
<b>Environmental</b>		See Ordering Options
<b>Cooling</b>		Right to Left
<b>Other</b>		
<b>MTBF</b>		MIL Hand book 217-F@ TBD hrs
<b>Certifications</b>		Designed to meet FCC, CE and UL certifications, where applicable
<b>Standards</b>		VadaTech is certified to both the ISO9001:2000 and AS9100B:2004 standards
<b>Warranty</b>		Two (2) years

## INTEGRATION SERVICES AND APPLICATION-READY PLATFORMS

VadaTech has a full ecosystem of VPX products including chassis platforms, shelf managers, VPX modules, Switch and Payload Boards, RTMs, Power Modules, and more. The company also offers integration services as well as pre-configured Application-Ready Platforms. Please contact VadaTech Sales for more information.

# Ordering Options

## VTX950 – 000-000-0HJ

		<b>H = Environmental</b>
		See Environmental Specification* table option H description
		<b>J = Conformal Coating</b>
		0 = No coating 1 = Humiseal 1A33 polyurethane 2 = Humiseal 1B31 acrylic

### Environmental Specification\*

Option H	H = 0	
Operating Temperature	-5°C to +55°C	
Storage Temperature	-40°C to +85°C	
Operating Vibration	0.04 g2/Hz max	
Storage Vibration	20g	
Humidity	95% non-condensing	

\* Please contact VadaTech Sales for other specification

## Related Products

VPX518



- AMC FPGA carrier for FMC per VITA-57
- Xilinx Zynq-7000 FPGA in FFG-900 package(XC7Z100 or XC7Z045) with embedded ARM®
- Supported by DAQ Series™ data

VPX592



- 3U FPGA carrier for FPGA Mezzanine Card (FMC) per VITA-46 and VITA-57
- Xilinx Kintex UltraScale™ XCKU115 FPGA
- High-performance clock jitter cleaner

VPX599



- 3U FPGA Dual DAC and dual ADC per VITA-46
- Xilinx Kintex UltraScale™ XCKU115 FPGA
- Dual ADC @ 6.4GSPS 12-bits

# Contact

## VadaTech Corporate Office

198 N. Gibson Road, Henderson, NV 89014  
Phone: +1 702 896-3337 | Fax: +1 702 896-0332

## Asia Pacific Sales Office

7 Floor, No. 2, Wenhui Street, Neihu District, Taipei 114, Taiwan  
Phone: +886-2-2627-7655 | Fax: +886-2-2627-7792

## VadaTech European Sales Office

VadaTech House, Bulls Copse Road, Southampton, SO40 9LR  
Phone: +44 2380 016403

[info@vadatech.com](mailto:info@vadatech.com) | [www.vadatech.com](http://www.vadatech.com)

# Choose VadaTech

## We are technology leaders

- First-to-market silicon
- Constant innovation
- Open systems expertise

## We commit to our customers

- Partnerships power innovation
- Collaborative approach
- Mutual success

## We deliver complexity

- Complete signal chain
- System management
- Configurable solutions

## We manufacture in-house

- Agile production
- Accelerated deployment
- AS9100 accredited



**vadatech**  
THE POWER OF VISION

## Trademarks and Disclaimer

The VadaTech logo is a registered trademark of VadaTech, Inc. Other registered trademarks are the property of their respective owners. AdvancedTCA™ and the AdvancedMC™ logo are trademarks of the PCI Industrial Computers Manufacturers Group. All rights reserved. Specification subject to change without notice.

© 2017 VadaTech Incorporated, All rights reserved.  
DOC NO. 4FM737-12 REV 01 | VERSION 1.0- MAR/18