



KEY FEATURES

- 16 PrPMC/PMC slots
- 300W power supply
- IPMI management for cooling and monitoring
- On-board 24-port GbE switch fabric
- Front panel RJ-45s as pass-through
- TDMA bus routed on J4 among the PrPMC/PMCs
- 19" 1U rack chassis
- RoHS compliant

The VT802 is a 16-slot PrPMC/PMC carrier in a standard 1U 19" rack chassis. Eight PrPMC/PMCs can be mounted on the top side and 8 PrPMC/PMCs can be mounted on the back side of the carrier. The VT802 utilizes the VadaTech VT001 IPMI controller to manage the cooling, monitoring and remote access of the system. The cooling airflow is from the front to the back.

The VT802 routes the J4 connector of each of the PrPMC/PMCs per the PTMC PICMG specification as the TDMA bus. The VT802 does not route the PCI bus among the PrPMC/PMCs, however it does have the pull-ups on the PCI bus for the J1 and J2 Connectors for each of the PMC modules. The J3 connector of the PrPMC/PMC is not routed on any of the 16 slots.

The VT802 has a 24-port GbE switch integrated on-board. Two ports are routed to the front for uplink. The VT802 has 24 RJ-45s on the front panel which pass through to the interior. This allows the PrPMC to bypass the on-board GbE switch or route I/O signals to the front.

The on-board power supply provides up to 300W to the carrier board.

VadaTech can modify this product to meet special customer requirements without NRE (minimum order placement is required).

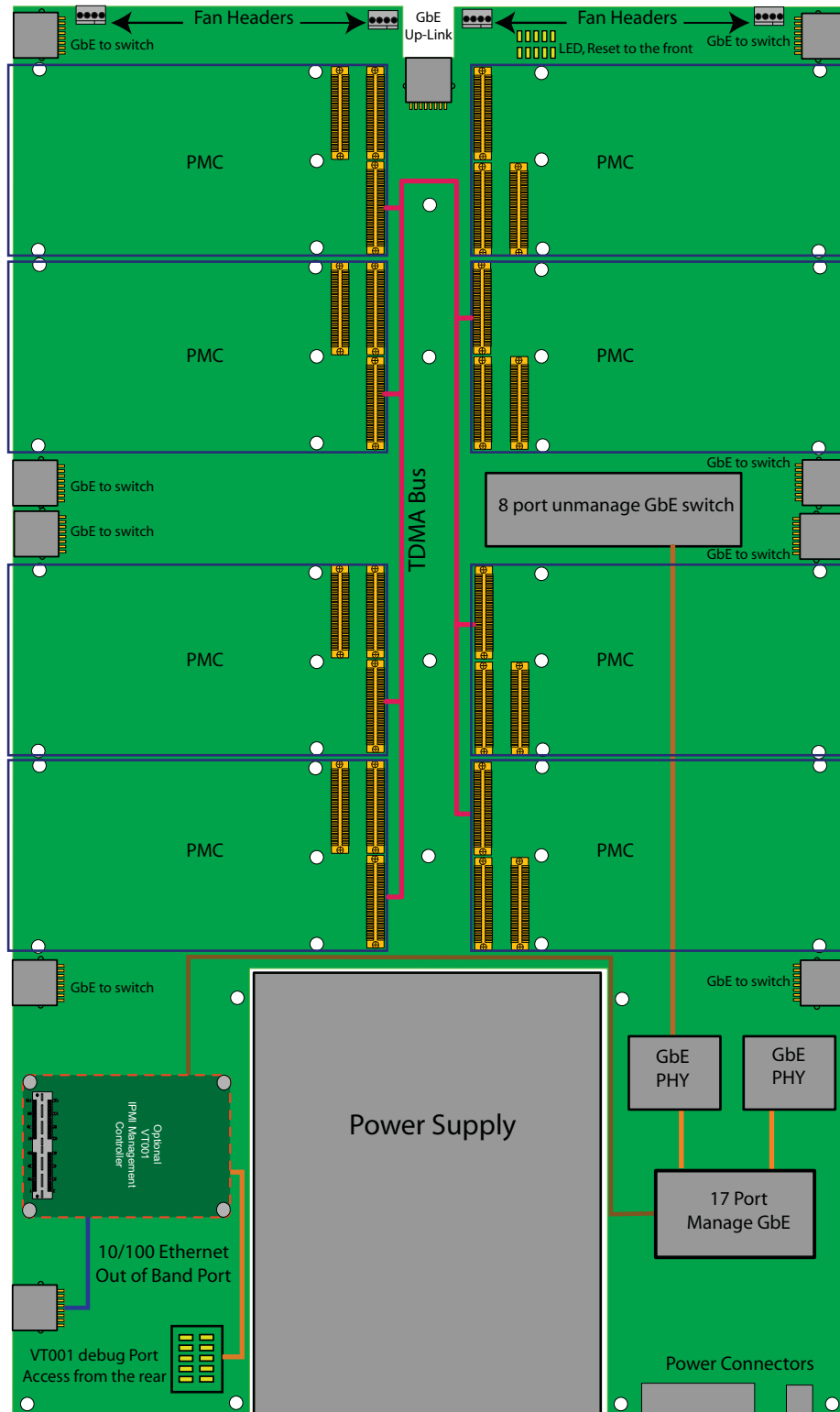
PMC Carrier in 19" Rack

SPECIFICATIONS

Architecture		
Physical	Dimensions	Width: 19 in. (482.6 mm)
		Depth: 27.6 in. (700 mm)
Type	PMC Carrier	Up to 16 PrPMC/PMC slots
Standard		
PMC	Type	IEEE1386
PTMC	Type	PICMG TDMA routed on J4 Connector
Module Management	IPMI	IPMI Version 2.0
Configuration		
Power	VT802	10W typical without any PrPMC/PMCs modules loaded (20W max with all the GbE at line rate)
Rear I/O	Interface Connectors	RS-232 IPMI management Debug port RJ-45 style
		Ethernet 10/100 IPMI management out of band port
		Power Input
Front Panel	Interface Connectors	24 RJ-45 pass-throughs
		Dual 10/100/1000-BaseT for uplink from the GbE switch fabric
		Option for front panel SC style fiber connector
Environmental	Temperature	Operating Temperature: 0° to 55° C Storage Temperature: -40° to +90° C
	Relative Humidity	5 to 95 percent, non-condensing
Other		
MTBF	MIL Spec 217-F >168,000 Hrs.(not including the Fan)	
Certifications	Designed to meet FCC, CE and UL certifications where applicable	
Standards	VadaTech is certified to both the ISO9001:2000 and AS9100B:2004 standards	
Compliance	RoHS	
Warranty	Two (2) years	
Trademarks and Logos	The VadaTech logo is a registered trademark of VadaTech, Inc. Other registered trademarks are the property of their respective owners. All rights reserved. Specification subject to change without notice.	

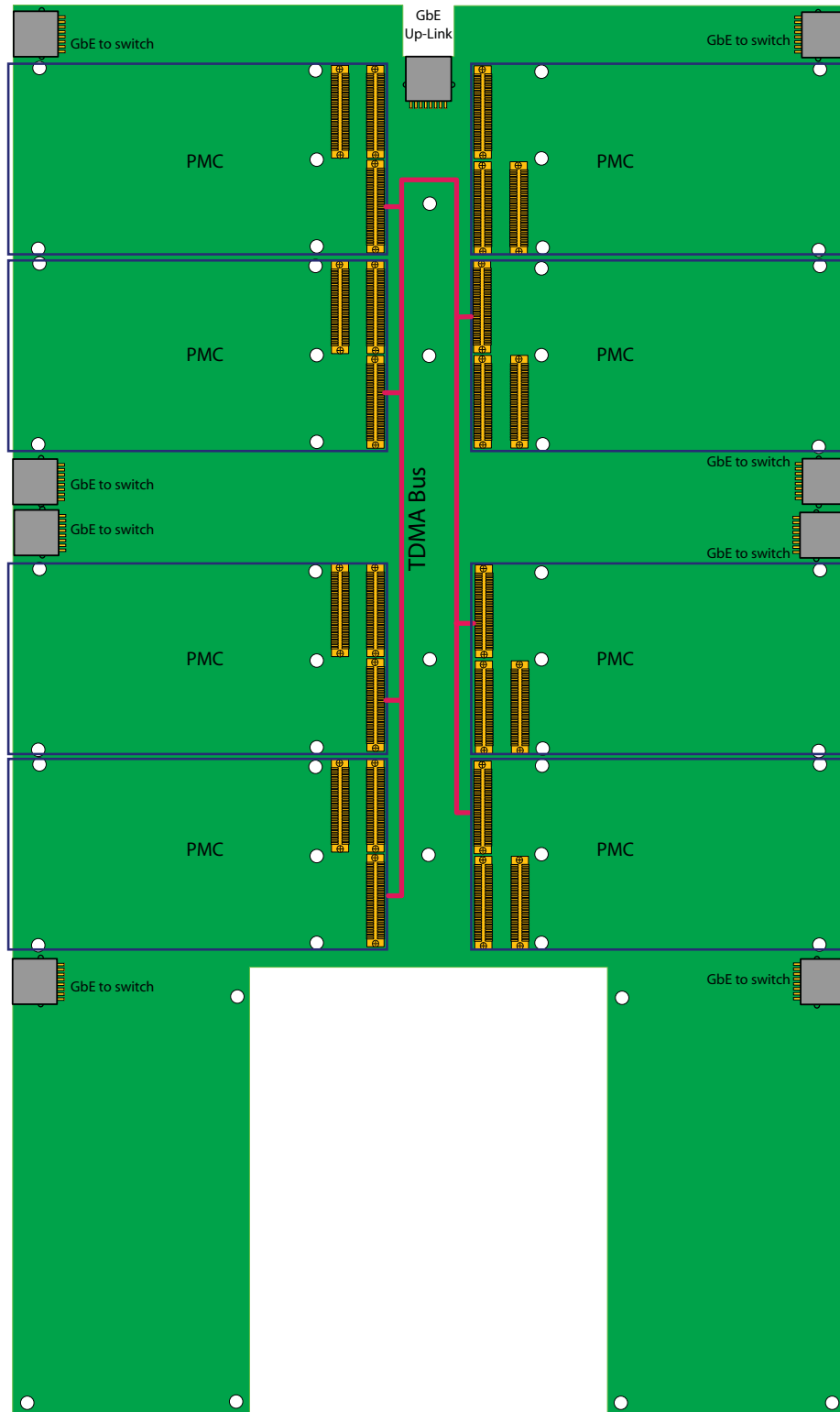
PMC Carrier in 19" Rack

FIGURE 1. VT802 Functional Block Diagram (top view)



PMC Carrier in 19" Rack

FIGURE 1. VT802 Functional Block Diagram (bottom view)



PMC Carrier in 19" Rack

ORDERING OPTIONS

VT802 - ABC - 000 - 00J

A = Power Supply

- 1 = 250W
- 2 = 300W

B = Management controller

- 1 = None
- 2 = VT001 installed

C = Front Fiber SC bypass

- 1 = None
- 2 = Installed

J = Conformal Coating

- 0 = None
- 1 = Humiseal 1A33 Polyurethane
- 2 = Humiseal 1B31 Acrylic



Document No _____ Date: July 20 2007

