



KEY FEATURES

- Form, fit and functionally compatible to the Intel® MPCMM0002 Module
- 5W max power
- 32-bit RISC processor @ 180 MHz
- 64 MB of SDRAM and 128 MB of flash
- Dual 10/100 Ethernet ports
- RS-232 Debug port
- Linux release 2.6.15
- Field upgradable with dual boot flash
- IPMI 2.0 compliant
- Telco alarms
- Isolated DC/DC converter
- Active/standby redundancy when utilizing two VT008s in system
- Rich set of Management software (refer to the VT001 specification for all software components) such as HPI, RMCP, SNMP, CLI, HTTP, etc.
- VT008 can run as an IPMI protocol analyzer to monitor all the 40+ I²C busses

The VadaTech VT008 Shelf Manager is form, fit and functionally compatible to the Intel® Model MPCMM0002. The VT008 is a 5W module. The VT008 can also run as a protocol analyzer to monitor, inject, capture and validate I²C traffic on the Intelligent Platform Management Bus (IPMB) on **all the radial busses**. A Graphical User Interface (GUI) validates and displays the IPMI packets or schedules IPMI messages for injection into the shelf. The GUI application communicates with the VT008 through the Ethernet port.

The VT008 has true radial bussing with dual FPGAs for redundancy. Each IPMI bus has a 64-byte FIFO to allow for a full IPMI packet on each I²C bus so there is no packet loss during operation.

When two VT008s are in the system, they operate in redundant active/standby mode. During operation one VT008 is active while the second one is synchronized in hot standby mode. The VT008 is fully hot-swappable to minimize service down time.

VadaTech can modify this product to meet special customer requirements without NRE (minimum order placement is required).

Advanced TCA®

SPECIFICATIONS

Architecture		
Physical	Dimensions	Width: 5.685 in. (144 mm)
		Depth: 11.096 in. (281 mm)
Type	Shelf Manager	For Intel compatible chassis
Standards		
Module Management	IPMI	IPMI Version 2.0 and PICMG 3.0
Configuration		
Power	VT004	4W typical, 5W max
Environmental	Temperature	Operating Temperature: 0° to 65° C (Air flow requirement is to be greater than 100 LFM) Available in Industrial Temp
		Storage Temperature: -40° to +90° C
	Vibration	1G, 5-500Hz each axis
	Shock	30Gs each axis
	Relative Humidity	5 to 95 percent, non-condensing
Front Panel	Interface Connectors	DB15 connector for Telco alarm
		RS-232 via RJ-45
		Dual 10/100 Ethernet RJ-45
		Reset Switch
	LEDs	IPMI Management Control Activity/Link; user LED, etc.
	Push Button	Reset Switch
	Mechanical	Hot Swap Ejector Handle
Software Support	Operating Systems	Linux version 2.6.15
Other		
MTBF	MIL Spec 217-F > 220,000 Hrs.	
Certifications	Designed to meet FCC, CE and UL certifications where applicable	
Standards	VadaTech is certified to both the ISO9001:2000 and AS9100B:2004 standards	
Compliance	RoHS and NEBS	
Warranty	Two (2) years	
Trademarks and Logos	The VadaTech logo is a registered trademark of VadaTech, Inc. Other registered trademarks are the property of their respective owners. AdvancedMC™ and the AdvancedTCA™ logo are trademarks of the PCI Industrial Computers Manufacturers Group. All rights reserved. Specification subject to change without notice.	

FIGURE 1: Viewing a captured trace while running the VT008 as an IPMI Protocol Analyzer

The screenshot displays the VadaTech IPMI Trace Viewer 2.1 interface. The main window shows a list of captured IPMI messages with columns for No., Time, Bus, Dir, Src, Dest, Seq, Net Fn, and Command. A filter is applied to show 'Platform Event && Request' messages. The selected message (No. 728) is expanded to show its details in the lower pane.

No.	Time	Bus	Dir	Src	Dest	Seq	Net Fn	Command
722	77.050.000	IPMB-A	REQ	0x92	0x20	16	Sensor/Event	Platform Event
724	77.330.000	IPMB-A	REQ	0x88	0x20	1	Sensor/Event	Platform Event
725	77.410.000	IPMB-A	REQ	0x90	0x20	20	Sensor/Event	Platform Event
728	77.740.000	IPMB-B	REQ	0x88	0x20	2	Sensor/Event	Platform Event
729	77.810.000	IPMB-B	REQ	0x92	0x20	20	Sensor/Event	Platform Event
730	77.830.000	IPMB-A	REQ	0x92	0x20	8	Sensor/Event	Platform Event
731	77.840.000	IPMB-B	REQ	0x92	0x20	12	Sensor/Event	Platform Event
732	77.870.000	IPMB-A	REQ	0x92	0x20	16	Sensor/Event	Platform Event
735	78.210.000	IPMB-A	REQ	0x88	0x20	3	Sensor/Event	Platform Event
736	78.230.000	IPMB-B	REQ	0x90	0x20	20	Sensor/Event	Platform Event
738	78.610.000	IPMB-B	REQ	0x88	0x20	4	Sensor/Event	Platform Event
739	78.640.000	IPMB-B	REQ	0x92	0x20	20	Sensor/Event	Platform Event
740	78.650.000	IPMB-A	REQ	0x92	0x20	8	Sensor/Event	Platform Event
741	78.660.000	IPMB-B	REQ	0x92	0x20	12	Sensor/Event	Platform Event
742	78.690.000	IPMB-A	REQ	0x92	0x20	16	Sensor/Event	Platform Event
743	79.020.000	IPMB-A	REQ	0x88	0x20	5	Sensor/Event	Platform Event
744	79.050.000	IPMB-A	REQ	0x90	0x20	20	Sensor/Event	Platform Event
745	79.430.000	IPMB-B	REQ	0x88	0x20	6	Sensor/Event	Platform Event
746	79.460.000	IPMB-B	REQ	0x92	0x20	20	Sensor/Event	Platform Event

Request: 0x88 -> 0x20 Platform Event (Sensor/Event) (seq 2)

- Header
- Body
 - Event Message Revision : 0x04 (4)
 - Sensor Type : 0x01 (Temperature)
 - Sensor Number : 0x02 (2)
 - Event Type : 0x01 (Threshold)
 - Event Direction : 0x01 (Deassertion)
 - Offset : 0x07 (Upper Non-Critical Going High)
 - Byte 2 Encoding : 0x01 (Trigger Reading)
 - Byte 3 Encoding : 0x01 (Trigger Value)
 - Reading : 0x31 (49)
 - Threshold : 0x32 (50)

0x20 0x10 0xd0 0x88 0x9 0x2 0x4 0x1 0x2 0x81 0x57 0x31 0x32 0x2b

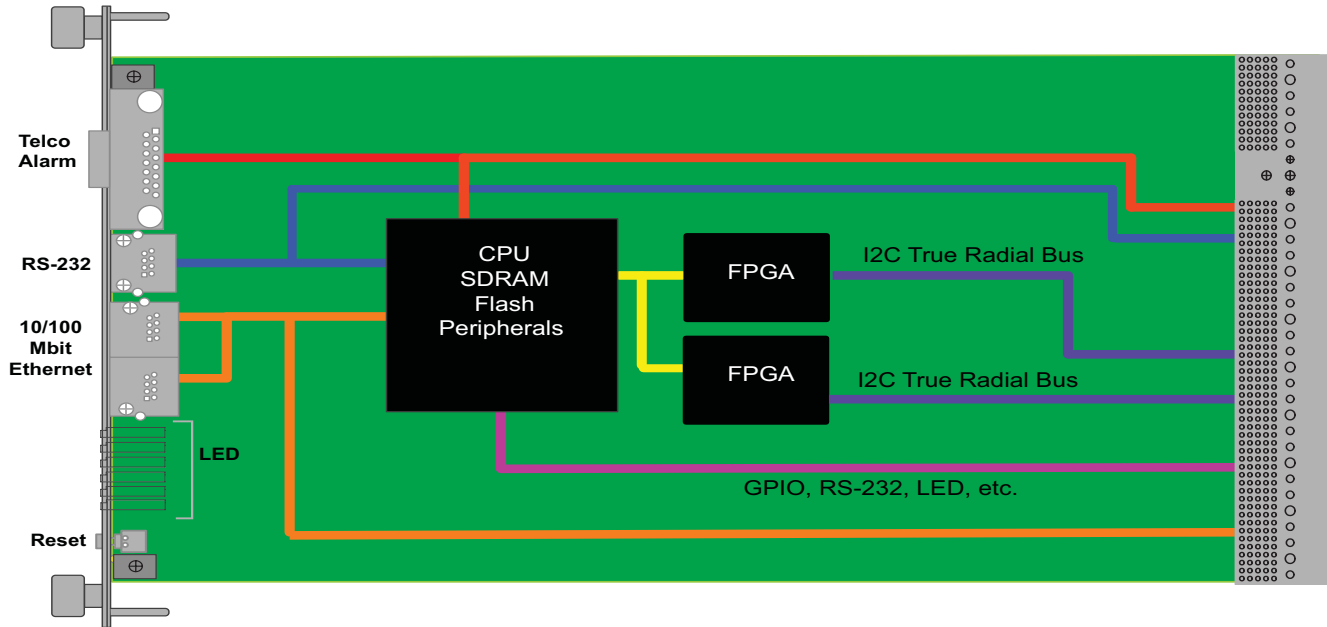


FIGURE 2. VT008 Functional Block Diagram

ORDERING OPTIONS

VT008 - A00 - 000 - 0HJ

A = Software option
 1 = Shelf Manager
 2 = IPMI Protocol Analyzer

H = Operating Temp

1 = Commercial
 2 = Industrial

J = Conformal Coating

0 = None
 1 = Humiseal 1A33 Polyurethane
 2 = Humiseal 1B31 Acrylic

Document No _____ Date: July 20 2007

