

## FMC Dual ADC, 12-bit @ 4.0 GSPS – FMC226

FMC, High Speed ADC

Photo Coming Soon

### KEY FEATURES

- FPGA Mezzanine Card (FMC) per VITA 57
- Dual Texas Instruments ADC12J4000 ADC
  - Four JESD204B lanes per ADC are routed to the FMC connector
  - Usable output bandwidth of 800 MHz at 4x decimation and 4000 MSPS
  - Usable output bandwidth of 100 MHz at 32x decimation and 4000 MSPS
- Excellent dynamic performance
- Front panel interface includes CLK In, Trig In, Analog In, and GPIO
- Ultra Low-Noise wide-band PLL
- RoHS compliant

### Benefits of Choosing VadaTech

- Array of FMC's and FMC carriers available from VadaTech
- High dynamic range for versatility in video/broadcast requirements
- Ideal for Broadband communications systems, Wireless infrastructure, LTE, ATE, RADAR/Jamming
- Electrical, mechanical, software, and system-level expertise in house
- Full ecosystem of front and rear boards, enclosures, specialty modules, and test/dev products from one source
- AS9100 and ISO9001 certified company

The FMC226 is an FPGA Mezzanine Carrier (FMC) per VITA 57 specification. The board has dual ADC with 12-bit resolution at 4.0 GSPS.

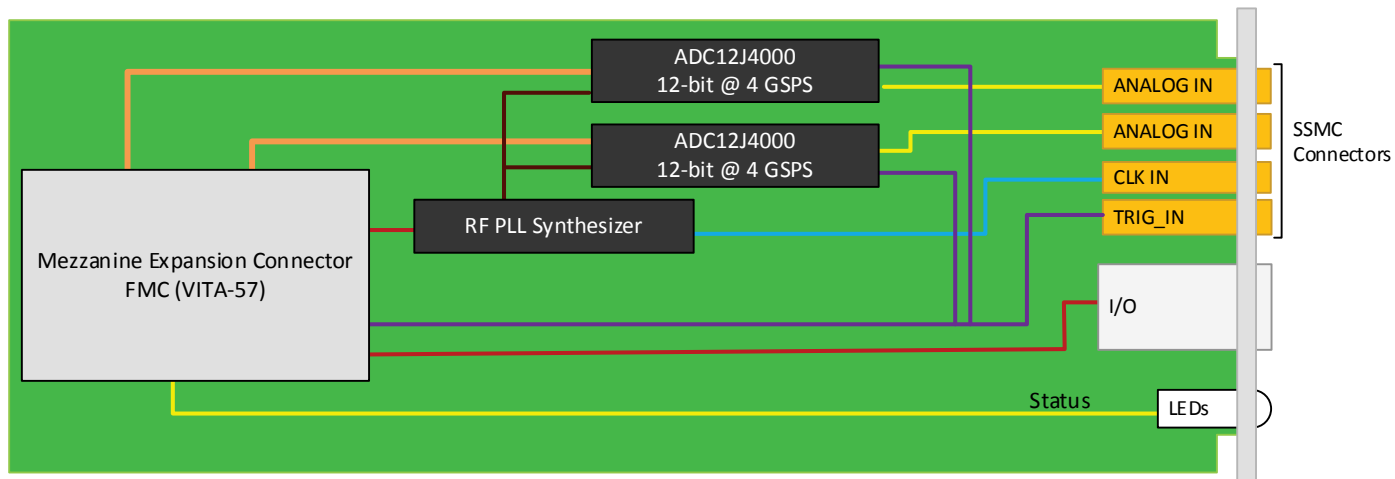
The FMC226 utilizes a dual TI ADC12J4000 ADC providing 12-bit conversion rates of up to 4.0 GSPS. The analog input, clock input and trigger inputs of the FMC226 are routed via SSMC connectors. The internal clock frequency is programmable and the clock is capable of locking to an external reference.

*VadaTech can modify this product to meet special customer requirements. Contact us to discuss your application.*

## INTEGRATION SERVICES AND APPLICATION-READY PLATFORMS

VadaTech has a full ecosystem of ATCA and  $\mu$ TCA products including chassis platforms, shelf managers, AMC modules, Switch and Payload Boards, Rear Transition Modules (RTM), Power Modules, and more. The company also offers integration services as well as pre-configured Application-Ready Platforms. Please contact VadaTech Sales for more information.

## BLOCK DIAGRAM



## SPECIFICATIONS

Architecture		
Physical	Dimensions	Single module
		Width 2.71" (69 mm)
		Depth 3.01" (76.5 mm)
Type	FMC	Dual Port ADC Single FMC
Standards		
FMC	VITA-57	ANSI/VITA 57.1-2008
Configuration		
Power	FMC226	6 W
Environmental	Temperature	Operating Temperature: -5° to 55° C (air flow requirements >400 LFM))
		Storage Temperature: -40° to +85° C
	Vibration	1G, 5 to 500 Hz on each axis
	Shock	30Gs each axis
	Relative Humidity	5 to 95 percent, non-condensing
Front Panel	Interface Connectors	SSMC and DisplayPort
	LEDs	Status
Conformal Coating		Humiseal 1A33 Polyurethane (Optional)
		Humiseal 1B31 Acrylic (Optional)
Other		
MTBF	MIL Hand book 217-F @ TBD Hrs	
Certifications	Designed to meet FCC, CE and UL certifications where applicable	
Standards	VadaTech is certified to both the ISO9001:2000 and AS9100B:2004 standards	
Warranty	Two (2) years	
Trademarks and Disclaimer	The VadaTech logo is a registered trademark of VadaTech, Inc. Other registered trademarks are the property of their respective owners. AdvancedTCA™ and the AdvancedMC™ logo are trademarks of the PCI Industrial Computers Manufacturers Group. All rights reserved. Specification subject to change without notice	

## ORDERING OPTIONS

FMC226 – 000 – 000 – 00J

### J = Conformal Coating

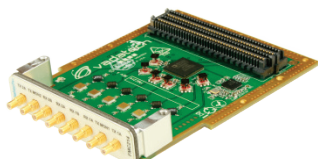
- 0 = Commercial (–5° to +55° C), No coating
- 1 = Commercial (–5° to +55° C), Humiseal 1A33 Polyurethane
- 2 = Commercial (–5° to +55° C), Humiseal 1B31 Acrylic
- 3 = Industrial (–20° to +70° C), No coating
- 4 = Industrial (–20° to +70° C), Humiseal 1A33 Polyurethane
- 5 = Industrial (–20° to +70° C), Humiseal 1B31 Acrylic
- 6 = Military (–40° to +85° C), Humiseal 1A33 Polyurethane\*\*
- 7 = Military (–40° to +85° C), Humiseal 1B31 Acrylic\*\*

\* Edge of module for conduction cooled boards

## RELATED PRODUCTS



AMC515 Virtex-7  
FPGA



FMC214 Wideband  
Transceiver



FMC210 ADC  
FMC

## CONTACT US

### VadaTech Corporate Office

198 N. Gibson Rd.  
Henderson, NV 89014  
Email: [info@vadatech.com](mailto:info@vadatech.com)  
Telephone: +1 702 896-3337  
Fax: +1 702 896-0332

### Asia Pacific Sales Office

7 Floor, No. 2, Wenhui Street, Neihu District,  
Taipei 114, Taiwan  
Email: [info@vadatech.com](mailto:info@vadatech.com)  
Telephone: +886-2-2627-7655  
Fax: +886-2-2627-7792

### VadaTech European Sales Office

Ocean Village Innovation Centre, Ocean Way,  
Ocean Village, Southampton, SO14 3JZ  
Email: [info@vadatech.com](mailto:info@vadatech.com)  
Telephone: +44 2380 381982  
Fax: +44 2380 381983