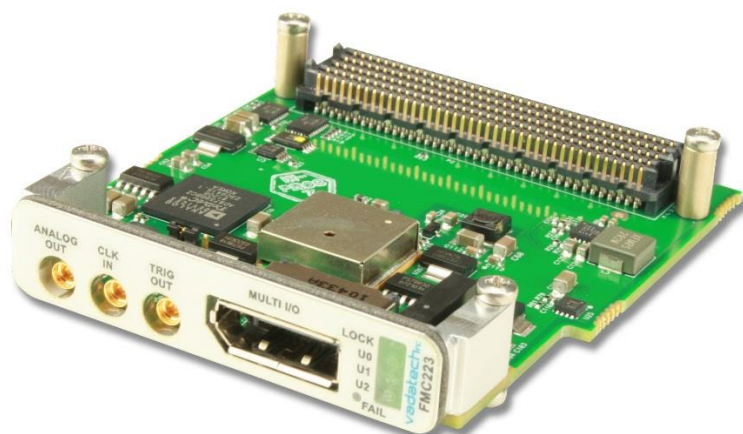


FMC High-speed DAC 14-bit at 2.5 GSPS Module, Multi I/O – FMC223

FMC, High Speed DAC



KEY FEATURES

- FPGA Mezzanine Card (FMC) per VITA 57
- Single module DAC 14-bit at 2.5 GSPS
- 2 Vpp differential Analog output swing
- Programmable DSP clock
- Dynamic performance
 - 8 QAM carriers @ 400 MHz IF –71 dBc
 - 16 QAM carriers @ 400 MHz IF –68 dBc
 - 32 QAM carriers @ 400 MHz IF –65 dBc
 - 72 QAM carriers @ 600 MHz IF –61 dBc
- Single tone NSD @ 2.4 GSPS
 - 166 dBm/Hz @ 100 MHz IF
 - 162 dBm/Hz @ 1 GHz IF
- Connection via MMCX for Analog Out and Reference Clock Input
- Connection via LVDS for TRIG In/Out and GPIO
- RoHS compliant

Benefits of Choosing VadaTech

- Array of FMC's and FMC carriers available from VadaTech
- Ideal for RADAR and other applications requiring GSPS level performance
- Design utilizes proven VadaTech subcomponents and engineering techniques
- Electrical, mechanical, software, and system-level expertise in house
- Full ecosystem of front and rear boards, enclosures, specialty modules, and test/dev products from one source
- AS9100 and ISO9001 certified company

The FMC223 is an FPGA Mezzanine Module per VITA 57 specification. The FMC223 has a single DAC 14-bit at 2.5 GSPS. The DAC converter utilizes the Analog Devices AD9739.

The FMC223 is designed for synthesizing of broadband signals, with enhanced linearity and band flatness performance. The Analog output current can be programmed over a range of 8.66 mA to 31.66 mA.

The Module utilizes a Display Port connector to bring in a clock input, user input, user output and trig input all in differential format.

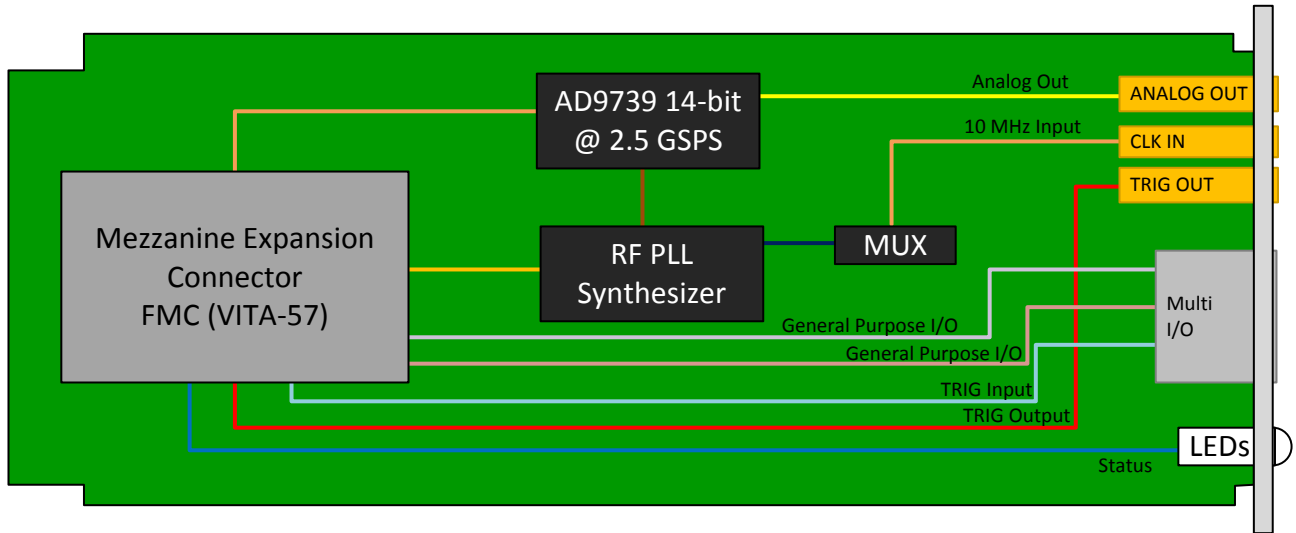
VadaTech can modify this product to meet special customer requirements. Contact us to discuss your application.

FMC High-speed DAC 14-bit at 2.5 GSPS Module, Multi I/O – FMC223

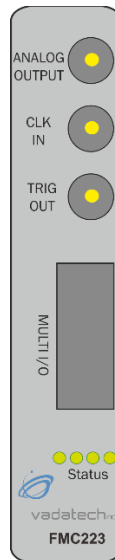
INTEGRATION SERVICES AND APPLICATION-READY PLATFORMS

VadaTech has a full ecosystem of ATCA and μ TCA products including chassis platforms, shelf managers, AMC modules, Switch and Payload Boards, Rear Transition Modules (RTM), Power Modules, and more. The company also offers integration services as well as pre-configured Application-Ready Platforms. Please contact VadaTech Sales for more information.

BLOCK DIAGRAM



FRONT PANEL



SPECIFICATIONS

Architecture		
Physical	Dimensions	Single module
		Width 2.71" (69 mm)
		Depth 3.01" (76.5 mm)
Type	FMC	Single DAC
		Single FMC slot
Standards		
FMC	VITA-57	ANSI/VITA 57.1-2008
Configuration		
Power	FMC221	4 W
Environmental	Temperature	Operating Temperature: -5° to 55° C (air flow requirements >400 LFM))
		Storage Temperature: -40° to +85° C
	Vibration	1G, 5 to 500 Hz on each axis
	Shock	30Gs each axis
	Relative Humidity	5 to 95 percent, non-condensing
Front Panel	Interface Connectors	MMCX
	LEDs	Status
Conformal Coating		Humiseal 1A33 Polyurethane (Optional)
		Humiseal 1B31 Acrylic (Optional)
Other		
MTFB	MIL Hand book 217-F @ TBD Hrs	
Certifications	Designed to meet FCC, CE and UL certifications where applicable	
Standards	VadaTech is certified to both the ISO9001:2000 and AS9100B:2004 standards	
Warranty	Two (2) years	
Trademarks and Disclaimer	The VadaTech logo is a registered trademark of VadaTech, Inc. Other registered trademarks are the property of their respective owners. AdvancedTCA™ and the AdvancedMC™ logo are trademarks of the PCI Industrial Computers Manufacturers Group. All rights reserved. Specification subject to change without notice	

FMC High-speed DAC 14-bit at 2.5 GSPS Module, Multi I/O – FMC223

ORDERING OPTIONS

FMC223 – AB0 – D00 – 0HJ

A = RF PLL Synthesizer*

0 = 1.8 GHz for sampling at 1.8 GSPS
1 = 2.5 GHz for sampling at 2.5 GSPS
2 = 1.28 GHz for sampling at 1.28 GSPS
3 = 2.0 GHz for sampling at 2.0 GSPS
4 = 2.1 GHz for sampling at 2.1 GSPS
5 = 1.6 GHz for sampling at 1.6 GSPS

B = Input Clock

0 = 10 MHz
1 = 100 MHz

D = Input Impedance

0 = 75Ω Input Impedance
1 = 50Ω Input Impedance

COMMON CONFIGURATIONS

FMC223-300-000-000

H = Operating Temperature

0 = Commercial
1 = Industrial

J = Conformal Coating

0 = None
1 = Humiseal 1A33 Polyurethane
2 = Humiseal 1B31 Acrylic

* Contact VadaTech for more information on other PLL synthesizer frequencies and input clocks

RELATED PRODUCTS



AMC515 Virtex-7
FPGA



AMC530 Altera
FPGA



FMC210 ADC
FMC

CONTACT US

VadaTech Corporate Office

198 N. Gibson Rd.
Henderson, NV 89014
Email: info@vadatech.com
Telephone: +1 702 896-3337
Fax: +1 702 896-0332

Asia Pacific Sales Office

7 Floor, No. 2, Wenhui Street, Neihu District,
Taipei 114, Taiwan
Email: info@vadatech.com
Telephone: +886-2-2627-7655
Fax: +886-2-2627-7792

VadaTech European Sales Office

Ocean Village Innovation Centre, Ocean Way,
Ocean Village, Southampton, SO14 3JZ
Email: info@vadatech.com
Telephone: +44 2380 381982
Fax: +44 2380 381983