

# TMM4500

## TRENTON 4U 4-PANEL RACKMOUNT LCD MONITOR DRAWER



**Trenton TMM4500 Quad-Screen LCD Monitor Drawer**  
Factory-configured with four 21" LCDs in a retractable drawer

### FEATURES

- Four 21.5" LCD monitors in a 4U rackmount monitor drawer saves 19" component rack space
- Secure monitor mounting and stabilization features enable a wide range of viewing positions and secure display storage
- Supports a wide variety of video inputs (VGA, DVI, HDMI or component video)
- High contrast ratios (1000:1) and wide viewing angles (up to 178°/178°) with Widescreen Full HD (1920x1080) resolutions delivering superior readability performance
- Independent or simultaneous LCD control plus digital PIP support
- Also available in 3U - single, dual or triple-screen configurations

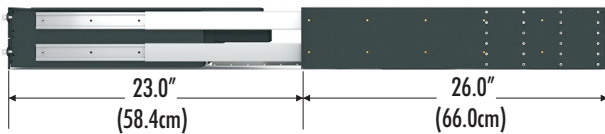


### TMM4500 OVERVIEW:

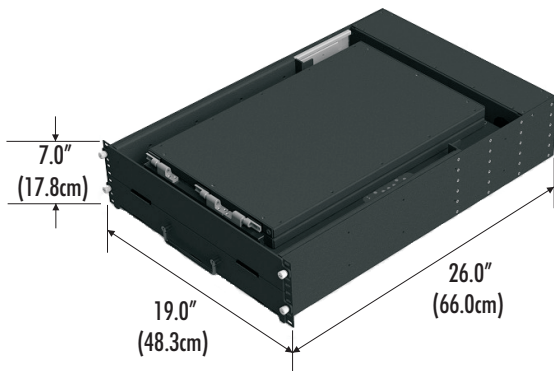
Trenton's TMM4500 delivers high performance, four-screen system monitoring capability in a rugged component drawer enclosure while only taking up four rack-height units. The four 21.5" high-performance LCD displays featured in the Trenton TMM4500 deliver superior graphics and image clarity in complex and multi-faceted military system installations, human-to-machine interface control applications, process automation systems, broadcasting control facilities and medical imaging applications. Only 7.0" (17.78cm) of 19" rackmount component height is needed by the TMM4500, and this rackmount quad-screen monitor drawer fits inside component racks with depth dimensions ranging from 28" to 36" (71cm - 91cm). The monitor drawer has a full extension of 23" (58.42cm) from the front of the component rack and slides into the assembly to conserve critical aisle space once the monitors are raised into the display positions. The TMM4500 rugged enclosure, rackmount slide design, and robust monitor hinge assemblies make the TMM4500 an ideal display solution for transit cases, flight packs and other mobile installations.

The widescreen LCD monitors featured in the TMM4500 support digital picture-in-picture (PIP) display capability and measure 21.5" each on the diagonal. The monitors' wide viewing angles enable easy reading over a wide range of display positions. Each monitor supports display resolutions up to 1920x1080 pixels (1080p) with contrast ratios of 1000:1.

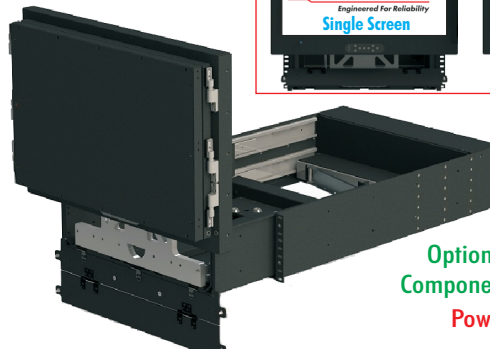
### TMM4500 MECHANICAL LAYOUT - 4-SCREEN MODEL:



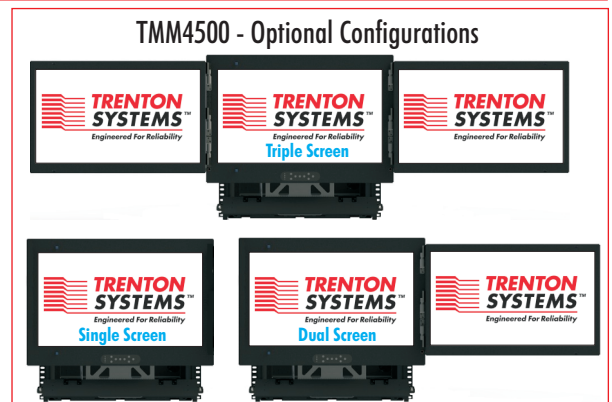
TMM4500 Open Position With Maximum Extension



TMM4500 Closed Position (4-Screen Model)



TMM4500 Monitor Assembly Open - 90° Position



TMM4500 - Optional Configurations

Optional Component

Power

TMM4500 Video & Power Connections (4 Screens)



Standard VGA, DVI-D, HDMI & IP50

TMM4500 - Rear Panel

### TRENTON LCD MONITOR: TMM4500

#### SYSTEM MODEL DESCRIPTION

TMM4500 Quad-screen 4U rackmount monitor drawer features four, 21" LCD monitors with high contrast ratios supporting widescreen full HD 1920x1080 resolutions

TRENTON Systems Inc. · 2350 Centennial Drive, Gainesville, Georgia 30504 · Sales: (800) 875-6031 · Phone: (770) 287-3100 · Fax: (770) 287-3150

E-mail: Sales@TrentonSystems.com · Web: www.TrentonSystems.com

**TECHNICAL SPECIFICATIONS:**

<b>MODEL NAME</b>	TMM4500
<b>DESCRIPTION</b>	Quad-screen 4U rackmount monitor drawer with four 21.5" widescreen LCD monitors with high contrast ratios and native 1920x1080 screen resolutions
<b>MONITOR SIZE</b>	Each widescreen monitor has a 21.5" LCD diagonal display area dimension
<b>MONITOR TYPE</b>	Each widescreen monitor features a 21.5" TFT Active Matrix LCD with long-life and uniform backlighting coverage
<b>MONITOR ASPECT RATIO</b>	16:9 (each monitor)
<b>MONITOR RESOLUTION</b>	Widescreen Full HD 1920x1080, (1080p) with a color depth of 16.7M colors (each monitor)
<b>MONITOR BRIGHTNESS</b>	250 NITS (cd/m <sup>2</sup> ) with a contrast ratio of 1000:1 and each monitor has a response time of 8ms G to G
<b>MONITOR VIEWING ANGLE</b>	89° Left of vertical center and 89° Right of vertical (178° total), 89° Up over horizontal center and 89° Down from horizontal center (178° total)
<b>SURFACE GLASS TREATMENT</b>	Hard-coating (3H) with anti-glare treatment
<b>OSD BUTTON BOARD</b>	Unified On Screen Display (OSD) button board on the center screen enables a single point of setup & control for all monitors while reducing cable clutter
<b>TOUCHSCREEN OPTION</b>	Optional resistive touchscreen available upon request
<b>HIGH BRIGHT OPTION</b>	High bright screen option available on all display panels
<b>VIDEO CONNECTORS</b>	4 sets of: Analog RGB (D-15 VGA), DVI-D, HDMI and IP50 for network control (standard) with optional CVS(2x), YPbPR component video or an optional dual or single-channel 3G HD/SD-SDI
<b>POWER SUPPLY</b>	XLR quick-disconnect power cord connector provides a secure +12VDC/16A power connection to the display platform via a 110/220VAC power adapter
<b>POWER CONSUMPTION</b>	4-screen model - 140W, 3-screen model - 105W, 2-screen model - 70W, 1-screen model - 35W
<b>TEMPERATURE</b>	0° to 50° C. Operating and -20° to 60° C. Non-operating
<b>SLIDE RAILS &amp; MONITOR HINGES</b>	Pre-integrated rugged, steel-friction slides with cable management guides, heavy-duty monitor hinges and gas spring monitor support for added stability
<b>MECHANICAL ASSEMBLY</b>	90° mechanical swivel enables compact, multi-screen monitor storage and display reading positions
<b>DIMENSIONS</b>	4-screen model - 19.0"/48.3cm (W) x 7.0"/17.78cm (H) x 26"/66.04cm (D), designed for mounting in 28" - 36" (71.12cm - 91.44cm) deep racks 3, 2, and 1-screen models - 19.0"/48.3cm (W) x 5.25"/13.34cm (H) x 26"/66.04cm (D)
<b>NET WEIGHT</b>	4-screen model - Approximately 85Lbs. (38.59Kg.), 3-screen model - Approx. 70Lbs. (31.78Kg.), 2-screen model - Approx. 61Lbs (27.69Kg.), 1-screen model - Approx. 50Lbs. (22.70Kg.)

Trenton Systems also offers complete rackmount computer system manufacturing and integration services using a variety of standard and customer supplied operating systems and application software packages. Various Microsoft®, Linux and RTOS operating systems can be loaded on to your Trenton Systems computer hardware by our highly skilled factory technicians. Other system integration services include loading and testing of industry standard or COTS option cards as well as custom designed boards.

Standard industry certifications and approvals for your specific rackmount computer system configuration are also available from Trenton Systems.

**NOTES:**

1. The LCD monitor drawer photos are shown for illustrative purposes only.

Microsoft is a registered trademark of Microsoft Corporation. All other product and/or company names are trademarks or registered trademarks of their respective owners.

Copyright ©2013 by TRENTON Systems Inc, All rights reserved



**TRENTON Systems Inc.** · 2350 Centennial Drive, Gainesville, Georgia 30504 · Sales: (800) 875-6031 · Phone: (770) 287-3100 · Fax: (770) 287-3150

E-mail: [Sales@TrentonSystems.com](mailto:Sales@TrentonSystems.com) · Web: [www.TrentonSystems.com](http://www.TrentonSystems.com)

8414500 06113 1.0