

# TMM2500

## TRENTON 2U DUAL RACKMOUNT LCD MONITOR DRAWER



**Trenton TMM2500 Dual LCD Monitor Drawer**  
Factory-configured with two 19" LCDs in a retractable drawer

### FEATURES

- Dual 19" LCD monitors in a 2U rackmount monitor drawer
- Secure monitor mounting and stabilization features enable a wide range of viewing positions and secure display storage
- Multi-monitor display drawer saves valuable space in system installation
- High contrast ratios and wide viewing angles deliver superior display performance
- Rugged all aluminum enclosure construction designed for light weight system requirements

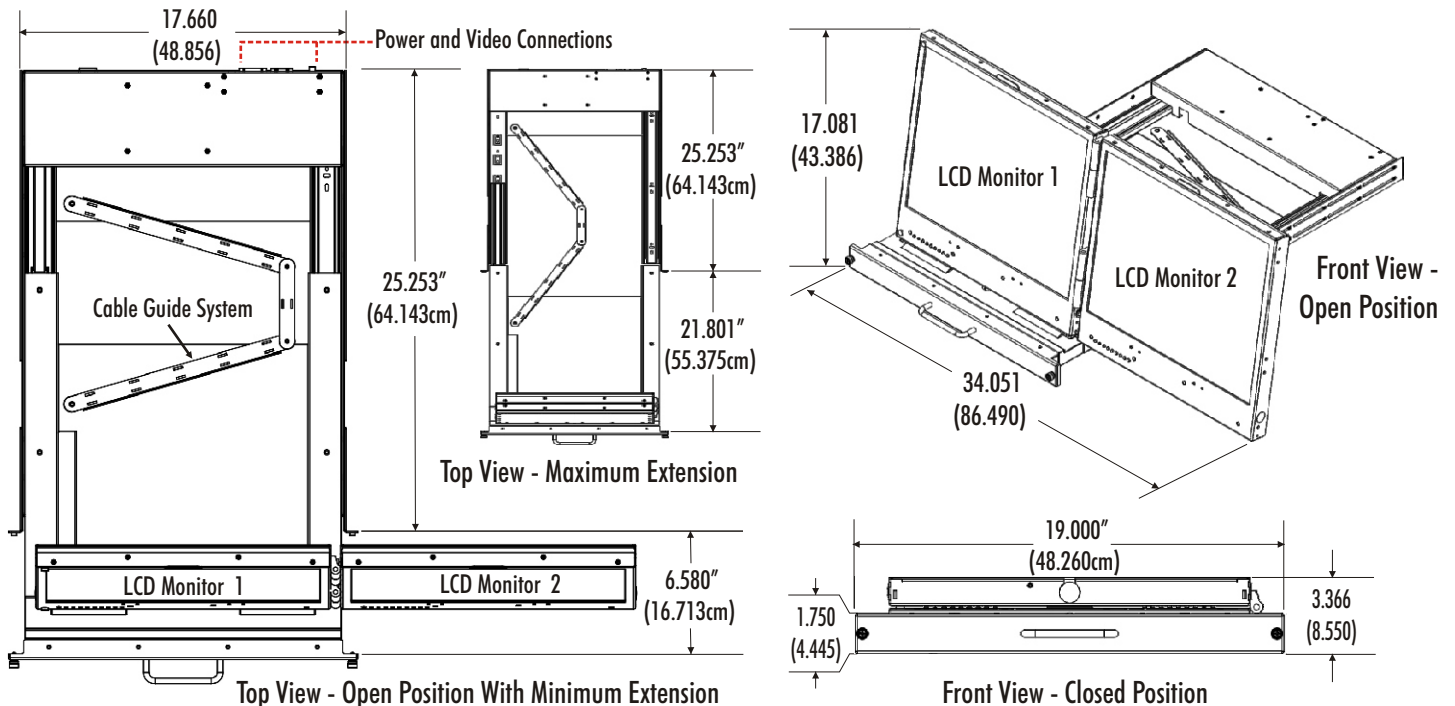


### TMM2500 OVERVIEW:

The Trenton TMM2500 delivers high-performance, dual-LCD monitor capability while only taking up two rackmount height units. The dual 19" high-performance displays featured in the Trenton TMM2500 deliver superior graphics and image clarity in complex and multi-faceted military system installations, human machine interface (HMI) control applications, process automation systems, broadcasting control facilities and medical imaging applications. Only 3.5" (8.9cm) of 19" component height is needed by the TMM2500 and this rackmount dual-display monitor drawer fits inside component racks with depth dimensions ranging from 26" - 36" (66cm - 91cm). Additional mounting options are available for mounting the TMM2500 in transit cases, flight packs and other mobile installations.

The LCD displays featured in the TMM2500 measure 19" on the diagonal and use the active matrix thin-film transistor (TFT) display technology. The displays feature wide viewing angles that enable easy monitor reading over a wide range of display positions. The monitors support display resolutions up to 1280 x 1024 pixels (SXGA) with high contrast ratios of 1000:1.

### TMM2500 MECHANICAL LAYOUT:



### TRENTON LCD MONITOR: TMM2500

**SYSTEM MODEL**  
TMM2500

#### DESCRIPTION

Dual 2U rackmount monitor drawer features two, 19" LCD monitors with high contrast ratios, native SXGA resolutions for superior readability

**TECHNICAL SPECIFICATIONS:**

|                         |  |
|-------------------------|--|
| MODEL NAME              | TMM2500  |
| DESCRIPTION             | Dual 2U rackmount monitor drawer with two 19" LCD monitors with high contrast ratios and native SXGA screen resolutions                            |
| MONITOR SIZE            | Each monitor has a 19" diagonal, 1.616" depth includes the monitor frame   |
| MONITOR TYPE            | Each monitor features a TFT Active Matrix LCD with 4 CCFLs for long-life, uniform backlighting coverage  |
| MONITOR ASPECT RATIO    | 4:3 (each monitor)   |
| MONITOR RESOLUTION      | 1280 x 1024, SXGA with a color depth of 16 million colors (each monitor)   |
| MONITOR BRIGHTNESS      | 300 NITS cd/m2 with a contrast ratio of 1000:1 and each monitor has a response time of 8ms GTG (typical) / 20ms typical for on/off operations      |
| MONITOR PIXEL PITCH     | 0.294mm x 0.294mm (H x W)  |
| MONITOR VIEWING ANGLE   | 89° Left of vertical center and 89° Right of vertical (178° total), 89° Up over horizontal center and 89° Down from horizontal center (178° total) |
| SURFACE GLASS TREATMENT | Hard-coating (3H), non-glare treatment   |
| TOUCHSCREEN             | Optional resistive touchscreen available upon request  |
| VIDEO CONNECTORS        | 2 - D-15 RGB (VGA) connector standard with optional DVI-D support is featured with the monitor's built-in V053 video controller card               |
| POWER MANAGEMENT        | EPA energy star, VESA compliance   |
| POWER SUPPLY            | +12V DC low-power operation with IP67 power connector, external supply +12V to 14.5 DC output range (typical)                                      |
| TEMPERATURE             | 0° to 50° C. Operating and -20° to 60° C. Non-operating  |
| HUMIDITY                | 5% to 90% RH Operating and Non-operating (non-condensing)  |
| SLIDE RAILS             | Pre-integrated ball-bearing slides with cable management guides  |
| MONITOR HINGE           | 2 – Heavy-duty torque hinges support up to 60 lbs. (27.24 kg)  |
| DIMENSIONS              | 19.0" / 48.3cm (W) x 3.37" / 8.56cm (H) x 25.25" / 64.14cm (D), designed for mounting in 26" - 36" (66.04 cm - 91.44cm) deep racks                 |
| NET WEIGHT              | 32 lbs. (14.53 Kg)   |

Trenton Systems also offers complete rackmount computer system manufacturing and integration services using a variety of standard and customer supplied operating systems and application software packages. Various Microsoft®, Linux and RTOS operating systems can be loaded on to your Trenton Systems computer hardware by our highly skilled factory technicians. Other system integration services include loading and testing of industry standard or COTS option cards as well as custom designed boards.

Standard industry certifications and approvals for your specific rackmount computer system configuration are also available from Trenton Systems.

**NOTES:**

1. The monitor / keyboard tray photos are shown for illustrative purposes only.

Microsoft is a registered trademark of Microsoft Corporation. All other product and/or company names are trademarks or registered trademarks of their respective owners.

Copyright ©2010 by TRENTON Systems Inc., All rights reserved

