

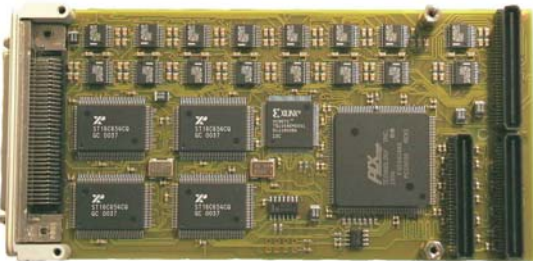
TPMC868 16 Channel Serial Interface RS232

Application Information

The TPMC868 is a standard single-width 32 bit PMC module and offers 16 channels of high performance asynchronous serial interface. Two different modules are available: the TPMC868-10x offers 16 RS232 interfaces with front panel I/O and P14 I/O supporting RxD, TxD, RTS, CTS and GND for each of the 16 RS232 channels. The TPMC868-11x provides 16 RS422 interfaces with front panel I/O and P14 I/O supporting RxD+/-, TxD+/- and GND per channel.

Each channel has a 64 byte transmit FIFO and a 64 byte receive FIFO to significantly reduce the overhead required to provide data to and get data from the transmitters and receivers. The FIFO trigger levels are programmable.

The baud rate is individually programmable up to 230 Kbaud. All serial channels use ESD protected transceivers up to +/-15KV according to IEC 1000-4-2.



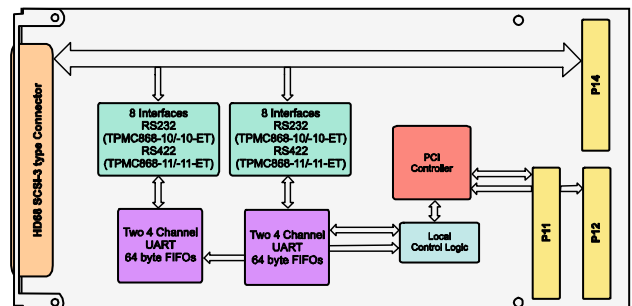
All TPMC868 modules are available in extended temperature range as TPMC868-xx-ET versions.

For First Time Users the Engineering Documentation TPMC868-ED is recommended. The Engineering Documentation includes TPMC868-DOC, schematics and data sheets.

Software support (TPMC868-SW-xx) is available for different operating systems.

Technical Information

- Standard single-width 32 bit PMC module conforming to IEEE P1386.1
- PCI 2.1 compliant interface
- Board size: 149 mm x 74 mm
- 16 channel asynchronous serial interface RS232
- Support of RxD, TxD, RTS, CTS and GND for each serial channel of the TPMC868-10x and RxD+/-, TxD+/- and GND for each serial channel of the TPMC868-11x
- Programmable baud rates up to 230 Kbaud
- 64 byte transmit FIFO per channel
- 64 byte receive FIFO per channel
- ESD protected transceiver (up to +/- 15KV according to IEC 1000-4-2)
- Temperature range: 0°C to +70°C (TPMC868-10x/-11x) and -40°C to +85°C (TPMC868-10x-ET/-11x-ET)



Order Information

RoHS Compliant

TPMC868-10R	16 Channel Serial RS232, front panel I/O and P14 I/O
TPMC868-10R-ET	Same as TPMC868-10R but Extended Temperature Range
TPMC868-11R	16 Channel Serial RS422, front panel I/O and P14 I/O
TPMC868-11R-ET	Same as TPMC868-11R but Extended Temperature Range

None RoHS Compliant

TPMC868-10	None RoHS compliant version of TPMC868-10R
TPMC868-10-ET	None RoHS compliant version of TPMC868-10R-ET
TPMC868-11	None RoHS compliant version of TPMC868-11R
TPMC868-11-ET	None RoHS compliant version of TPMC868-11R-ET

Documentation

TPMC868-DOC	User Manual
TPMC868-ED	Engineering Documentation, includes TPMC868-DOC

Software

TPMC868-SW-25	Integrity Software Support
TPMC868-SW-42	VxWorks Software Support (Legacy and VxBus-Enabled Software Support)
TPMC868-SW-65	Windows XP/XPE/2000 Software Support
TPMC868-SW-72	LynxOS Software Support
TPMC868-SW-82	LiNIX Software Support
TPMC868-SW-95	QNX 6 Software Support

For other operating systems please contact TEWS.

Related Products

TA304	Cable Kit for modules with HD68 connector
TPIM003	PIM I/O Module with HD68 SCSI-3 type connector and special pin assignment