

### TPCI100 PCI Carrier for 2 Industry Packs®

#### Application Information

The TPCI100 is a standard 33 MHz 32 bit PCI Carrier for up to two single-size or one double-size IndustryPack (IP) modules allowing to build up modular, flexible and cost effective I/O solutions for all kinds of applications like process control, medical systems, telecommunication and traffic control.

Two 50 pin 0.1 inch flat ribbon cable connectors provide access to all IP I/O lines. Status indicators for IP access, +5V and +/-12V are provided.

The TPCI100 can operate with 3.3V and 5.0V PCI I/O signaling voltage for I/O. This guaranties compatibility with nearly all PC mainboards. 3.3V required by on board logic is generated locally.

All IP interrupt request lines are mapped to PCI INTA. For fast interrupt source detection, the TPCI100 provides a special IP interrupt status register.

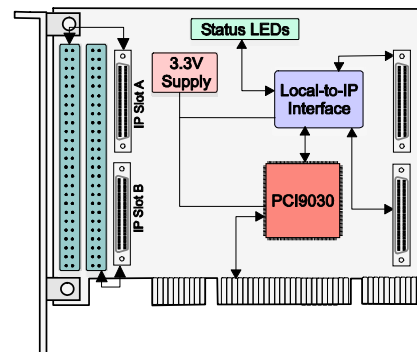


The IP power lines are fuse protected by self healing fuses and RF filtered. The operating temperature range is -40°C to +85°C.

For First-Time-Buyers the Engineering Documentation TPCI100-ED is recommended. The Engineering Documentation includes TPCI100-DOC, schematics and data sheets of the TPCI100.

#### Technical Information

- PCI Card Interface
  - PCI 2.2 compliant interface
  - Size: 107 mm x 125 mm
  - PCI I/O signaling voltage: 3.3V or 5.0V
- ANSI/VITA 4-1995 compliant interface to IndustryPack modules
  - IndustryPack slots: two single-size or one double-size
  - 8/32 MHz interface, no DMA
  - 8 Mbytes memory space per IP
  - Routing of all IP interrupts to PCI INTA, local interrupt status register
  - I/O access: 50 pin 0.1 inch flat ribbon cable connector per IP
- Status LED's
  - ACK LED for each IP module
  - +5V Power LED for each IP slot
  - +12V and -12V Power LED
- Self Healing fuses and RF-filtering on all IP power lines
- Operating temperature -40°C to +85°C



**Order Information**

**RoHS Compliant**

**TPCI100-10R** PCI Carrier for 2 IndustryPacks

**None RoHS Compliant**

**TPCI100-10** None RoHS compliant version of  
TPCI100-10R

**Documentation**

**TPCI100-DOC** User Manual

**TPCI100-ED** Engineering Documentation, includes  
TPCI100-DOC

**Software**

**CARRIER-SW-25** Integrity Software Support

**CARRIER-SW-42** VxWorks Software Support (Legacy  
and VxBus-enabled Software Support)

**CARRIER-SW-65** Windows XP/XPE/2000 IP Carrier  
Software Support

**CARRIER-SW-72** LynxOS IP Carrier Software Support

**CARRIER-SW-82** Linux IP Carrier Software Support

**CARRIER-SW-95** QNX 6 IP Carrier Software Support

For other operating systems please contact TEWS.

**Related Products**

**TA305** Cable Kit for modules with 50 pin  
ribbon cable connector