

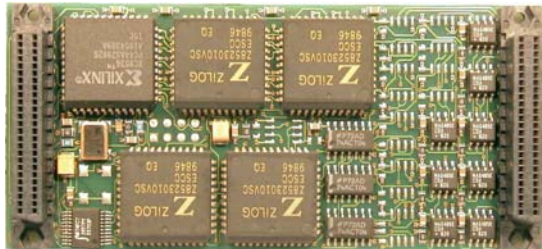
TIP867 8 Channel Serial Interface RS485

Application Information

The TIP867 is an IndustryPack® compatible module and offers eight channels of high performance RS485 serial interface. Each channel has a 4 byte transmit FIFO and an 8 byte receive FIFO to significantly reduce the overhead required to provide data to and get data from the transmitters and receivers.

The TIP867 supports Dx+, Dx- and GND for each of the eight RS485 channels. The baud rate is individually programmable up to 2 Mbps. The TIP867 uses ESD protected transceivers (up to +/-15KV according to IEC 1000-4-2).

All transition modules of the TIP866 series are well suited for the TIP867. The transition module TIP866-TM-10 provides 8 DB25 connectors mounted in a 6U 8TE front panel. The transition module TIP866-TM-20 offers 8 RJ45 connectors mounted in a 6U 4TE front panel. The transition module TIP866-TM-30 provides 16 4-pin RJ connectors mounted in a 6U 4TE front panel.

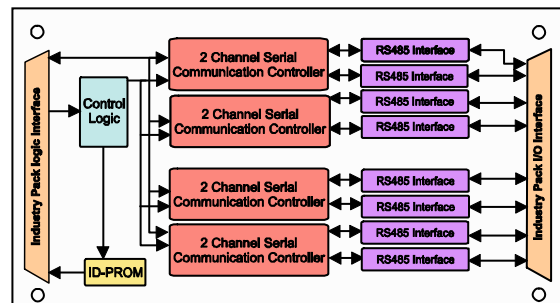


For First-Time-Buyers the Engineering Documentation TIP867-ED is recommended. The Engineering Documentation includes TIP867-DOC, schematics and data sheets.

Serial line driver software TIP867-SW-xx is available (support only asynchronous protocols).

Technical Information

- Interface according to IndustryPack specification
- Identification-PROM supports auto-configuration
- Single Size IndustryPack
- 8 channels RS485 serial interface
- Support of Dx+, Dx- and GND per channel
- Programmable baud rates to 2 Mbps
- ESD protected RS485 interface (up to +/- 15KV to IEC1000-4-2)
- Operating temperature 0°C to +70°C



Order Information

RoHS Compliant

TIP867-10R	8 Channel Serial RS485 Interface
TIP867-20R	8 Channel Serial RS485 Interface, support of Dx+/-, CLK+/- and GND
TIP866-TM-10R	Transition Module for TIP866/TIP867, provides 8 DB25 Connectors in front panel
TIP866-TM-20R	Transition Module for TIP866/TIP867, provides 8 RJ45 connectors in front panel
TIP866-TM-30R	Transition Module for TIP866/TIP867, provides 16 4-pin RJ connectors in front panel
TIP866-IO-10R	Mounting Rail I/O Module with 8 DB9

None RoHS Compliant

TIP867-10	None RoHS compliant version of TIP867-10R
TIP867-20	None RoHS compliant version of TIP867-20R
TIP866-TM-10	None RoHS compliant version of TIP866-TM-10R
TIP866-TM-20	None RoHS compliant version of TIP866-TM-20R
TIP866-TM-30	None RoHS compliant version of TIP866-TM-30R
TIP866-IO-10	None RoHS compliant version of TIP866-IO-10R

Documentation

TIP867-DOC	User Manual
TIP867-ED	Engineering Documentation, includes TIP867-DOC
TIP866-TM-10-DOC	User Manual TIP866-TM-1x
TIP866-TM-20-DOC	User Manual TIP866-TM-2x
TIP866-TM-30-DOC	User Manual TIP866-TM-3x
TIP866-IO-10-DOC	User Manual TIP866-IO-1x

Software

TIP867-SW-25	Integrity Software Support
TIP867-SW-42	VxWorks Software Support (Legacy and VxBus-Enabled Software Support)
TIP867-SW-65	Windows XP/XPE/2000 Software Support
TIP867-SW-72	LynxOS Software Support
TIP867-SW-82	LiNux Software Support
TIP867-SW-95	QNX 6 Software Support

For other operating systems please contact TEWS.