

TIP865 4 Channel Serial Interface

Application Information

The TIP865 is an IndustryPack® compatible module with four channels of high performance multimode serial interface.

The TIP865-10x offers four RS232 interfaces, the TIP865-11x provides four TTL interfaces, the TIP865-20x supports four RS422 interfaces, the TIP865-30x provides four RS485 multidrop interfaces and the TIP865-51x offers two RS422 and two RS485 interfaces.

The full modem control is available for each of the 4 serial interfaces on the TIP865-10x and -11x supporting RxD, TxD, RTS, CTS, DCD and clock. The TIP865-20x provides RxD, TxD and clock. The TIP865-30x supports a bidirectional RS485 bus.

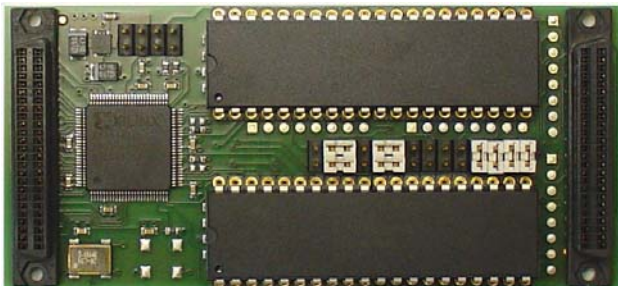
The TIP865-51x is a combination of the TIP865-20x and -30x. Two channels support RxD, TxD and clock for the RS422 interface and two channels supports a bi-directional RS485 bus.

Features include programmable baud rates to 2 Mbit/sec, asynchronous or synchronous protocols including NRZ, NRZI, FM, T1, SDLC/HDLC.

The maximum baud rate of the TIP865 is affected by several options like the clock input source, clock frequency, used clock mode, synchronous or asynchronous serial mode and the on board physical transceiver.

For more details about maximum baud rates please see User Manual TIP865-DOC.

The communication controller used is the industry standard Z85C30.

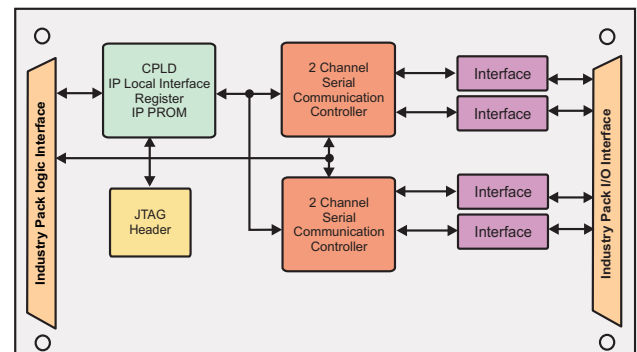


For First-Time-Buyers the Engineering Documentation TIP865-ED is recommended. The Engineering Documentation includes TIP865-DOC, schematics and data sheets.

Serial line driver software TIP865-SW-xx is available (support only asynchronous protocols).

Technical Information

- Interface according to IndustryPack specification
- Identification-PROM supports auto-configuration
- Single Size IndustryPack
- 4 channels multimode serial interface
- Support of modem controls on TIP865-10 and -11: RxD, TxD, DTR, DCD, RTS, CTS, Clock
- Support of RxD+/-, TxD+/- and Clock on TIP865-20
- Support of TxD/RxD+, TxD/RxD- on TIP865-30
- Support of TxD, RxD, CLKIN, CLKOUT resp. TxD/RxD+, TxD/RxD- on TIP865-51
- Programmable baud rates to 2 Mbps
- Asynchronous and synchronous protocols
- Operating temperature range 0°C to +70°C



Order Information

RoHS Compliant

TIP865-10R	4 Channel Serial RS232 Interface
TIP865-11R	4 Channel Serial TTL Interface
TIP865-20R	4 Channel Serial RS422 Interface
TIP865-30R	4 Channel Serial RS485 Interface
TIP865-51R	2 Channel Serial RS485 Interface / 2 Channel Serial RS422 Interface

None RoHS Compliant

TIP865-10	None RoHS compliant version of TIP865-10R
TIP865-11	None RoHS compliant version of TIP865-11R
TIP865-20	None RoHS compliant version of TIP865-20R
TIP865-30	None RoHS compliant version of TIP865-30R
TIP865-51	None RoHS compliant version of TIP865-51R

Documentation

TIP865-DOC	User Manual
TIP865-ED	Engineering Documentation, includes TIP865-DOC

Software

TIP865-SW-25	Integrity Software Support
TIP865-SW-42	VxWorks Software Support (Legacy and VxBus-Enabled Software Support)
TIP865-SW-65	Windows XP/XPE/2000 Software Support
TIP865-SW-72	LynxOS Software Support
TIP865-SW-82	LiNIX Software Support
TIP865-SW-95	QNX 6 Software Support

For other operating systems please contact TEWS.