

### TIP710 16 Digital Outputs, High Side Switch

#### Application Information

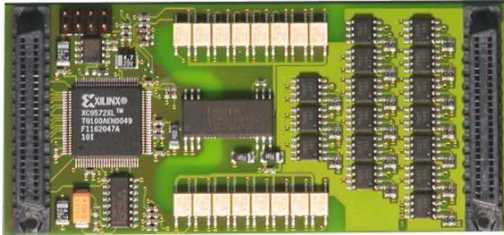
The TIP710 is an IndustryPack® compatible module providing 16 digital outputs configured as high side switch with galvanic isolation via optocouplers.

The TIP710 directly controls up to 16 lines of all kinds of resistive, capacitive and inductive loads.

The outputs are capable of driving 1A continuous per channel at an external supply voltage of 6V to 48V.

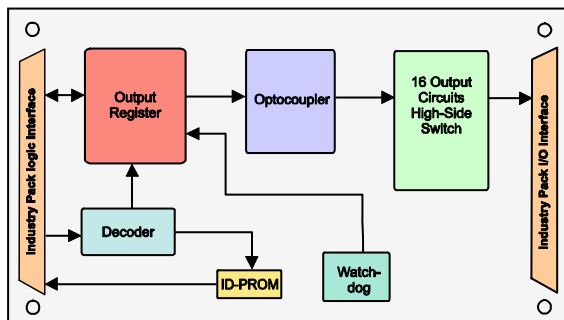
All outputs resist short-circuits and are protected against thermal overload.

After power-on or reset all channels are in the off state. A hardware watchdog clears all outputs in case of trigger failure.



For First Time Users the Engineering Documentation TIP710-ED is recommended. The Engineering Documentation includes TIP710-DOC, schematics and data sheets.

Software Support (TIP710-SW-xx) is available for different operating systems.



#### Technical Information

- Interface according to IndustryPack specification
- Identification-PROM supports auto-configuration
- Single Size IndustryPack
- 16 digital outputs, high side switches
- Output signal voltage 6V to 48V, common to all outputs, externally supplied
- Output current: 1A continuous per channel
- Optocouplers for galvanic isolation of outputs to computer system
- Outputs are short-circuit protected
- Outputs protected against thermal overload
- Watchdog timer resets all channels in case of triggering failure
- Operating temperature range -40°C to +85°C

#### Order Information

##### RoHS Compliant

**TIP710-10R** 16 Digital Outputs, high side switches, 6V to 48V, 1A

##### None RoHS Compliant

**TIP710-10** None RoHS compliant version of TIP710-10R

##### Documentation

**TIP710-DOC** User Manual

**TIP710-ED** Engineering Documentation, includes TIP710-DOC

##### Software

**TIP710-SW-25** Integrity Software Support

**TIP710-SW-42** VxWorks Software Support (Legacy and VxBus-Enabled Software Support)

**TIP710-SW-65** Windows XP/XPE/2000 Software Support

**TIP710-SW-72** LynxOS Software Support

**TIP710-SW-82** LiNux Software Support

**TIP710-SW-95** QNX 6 Software Support

For other operating systems please contact TEWS.