

# TIP551 4 Channels of Isolated 16 bit D/A Conversion

### Application Information

The TIP551 is an IndustryPack® compatible module and offers 4 channels of isolated 16 bit analog outputs. Settling time to 0.003% is 10µs typical. The programmable output voltage range is +/-10V or 0-10V selectable by jumper. The DAC clears to 0V in both unipolar and bipolar output. The isolated DAC and the output buffer are powered by an on board DC/DC converter.

Each TIP551 is factory calibrated. The calibration information is stored in the Identification-PROM unique to each IP.

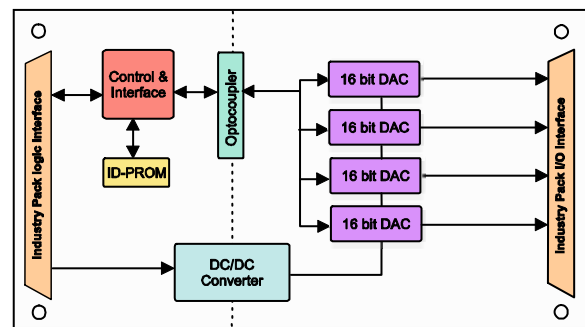


For First-Time-Buyers the Engineering Documentation TIP551-ED is recommended. The Engineering Documentation includes TIP551-DOC, schematics and data sheets.

Software support (TIP551-SW-xx) for different operating systems is available.

### Technical Information

- Interface according to IndustryPack specification
- Identification-PROM supports auto-configuration
- Single Size IndustryPack
- 4 channels of isolated 16 bit analog output
- Full-scale output range +/-10 V or 0-10V selectable by jumper
- Factory calibrated, calibration information in Identification-PROM unique to each IP
- Operating temperature -40°C to +85°C



### Order Information

#### RoHS Compliant

**TIP551-10R** 4 Channels of Isolated 16 bit Analog Output

#### None RoHS Compliant

**TIP551-10** None RoHS compliant version of TIP551-10R

#### Documentation

**TIP551-DOC** User Manual

**TIP551-ED** Engineering Documentation, includes TIP551-DOC

#### Software

**TIP551-SW-25** Integrity Software Support

**TIP551-SW-42** VxWorks Software Support (Legacy and VxBus-Enabled Software Support)

**TIP551-SW-65** Windows XP/XPE2000 Software Support

**TIP551-SW-72** LynxOS Software Support

**TIP551-SW-82** LiNux Software Support

**TIP551-SW-95** QNX 6 Software Support

For other operating systems please contact TEWS.