

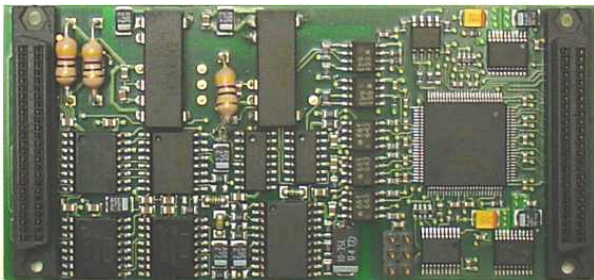
TIP500 16 Channels of Isolated 12 bit A/D Conversion

Application Information

The TIP500 is an IndustryPack® compatible module with 16 single-ended or 8 differential channels of isolated 12 bit A/D conversion. The data acquisition and conversion time is up to 10µs without channel / gain change and up to 12.5µs with channel / gain change.

The input multiplexer offers analog overvoltage protection of up to 70 Vpp. A programmable gain amplifier allows gains of 1, 2, 5, 10 or 1, 2, 4, 8. The full-scale input range is +/-10V for the TIP500-1x and 0-10V for the TIP500-2x.

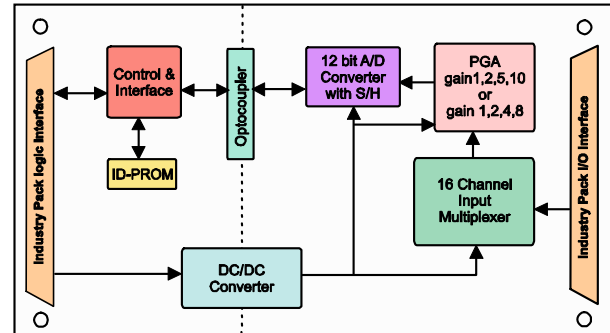
The isolated ADC, programmable gain amplifier and multiplexer are powered by an on board DC/DC converter. An interrupt can be generated at end-of-conversion supporting an 8 bit vector. Each TIP500 is factory calibrated. The calibration information is stored in the Identification-PROM unique to each IP.



For First-Time-Buyers the Engineering Documentation TIP500-ED is recommended. The Engineering Documentation includes TIP500-DOC, schematics and data sheets. Software support (TIP500-SW-xx) for different operating systems is available.

Technical Information

- Interface according to IndustryPack specification
- Identification-PROM supports auto-configuration
- Single Size IndustryPack
- 16 single-ended or 8 differential channels of isolated 12 bit A/D conversion
- ESD protected input multiplexer
- Programmable gain amplifier, gain 1, 2, 5, 10 or gain 1, 2, 4, 8
- 12 bit A/D converter with internal S/H and reference
- Full-scale input range +/- 10 V or 0-10V (gain = 1)
- Interrupt capability at end-of-conversion
- Factory calibrated, calibration information in Identification-PROM unique to each IP
- Operating temperature -40°C to +85°C



Order Information

RoHS Compliant

- TIP500-10R** 16 Single-Ended or 8 Differential Channels of Isolated 12 bit Conversion, gain 1, 2, 5, 10, input range +/- 10V
- TIP500-11R** 16 Single-Ended or 8 Differential Channels of Isolated 12 bit Conversion, gain 1, 2, 4, 8, input range +/- 10V
- TIP500-20R** As TIP500-10R but input range 0-10V
- TIP500-21R** As TIP500-11R but input range 0-10V

None RoHS Compliant

- TIP500-10** None RoHS compliant version of TIP500-10R
- TIP500-11** None RoHS compliant version of TIP500-11R
- TIP500-20** None RoHS compliant version of TIP500-20R
- TIP500-21** None RoHS compliant version of TIP500-21R

Documentation

- TIP500-DOC** User Manual
- TIP500-ED** Engineering Documentation, includes TIP500-DOC

Software

- TIP500-SW-25** Integrity Software Support
- TIP500-SW-42** VxWorks Software Support (Legacy and VxBus-Enabled Software Support)
- TIP500-SW-65** Windows XP/XPE/2000 Software Support
- TIP500-SW-72** LynxOS Software Support
- TIP500-SW-82** LiNux Software Support
- TIP500-SW-95** QNX 6 Software Support

For other operating systems please contact TEWS.