

## TPCE001-TM VG64 I/O Transition Module

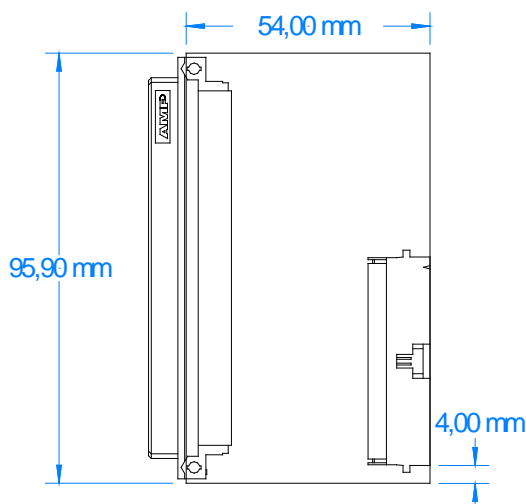


### Application Information

The TPCE001-TM is a transition module to connect TEWS PCI(e) carriers with a VG64 I/O connector to TEWS PCI(e) carriers with a 68-pin AMPMODU flat cable connector, like TEWS' TPCE276.

### Technical Information

- 54 x 96mm sized PCB
- 1x DIN 41612 2.54mm, Right Angle Female, Type R Connector
- 1x Tyco 0.050 x 0.100 AMPMODU System 50 Connector
- Operating temperature: -40°C to +85°C



### Order Information

#### RoHS Compliant

**TPCE001-TM-10R** VG64 I/O Transition Module

For the availability of non-RoHS compliant (lead solder) products please contact TEWS.

#### Documentation

**TPCE001-TM-DOC** User Manual