

## TCP8400 PowerPC based 2 Slot PMC Carrier (cPCI)

### Application Information

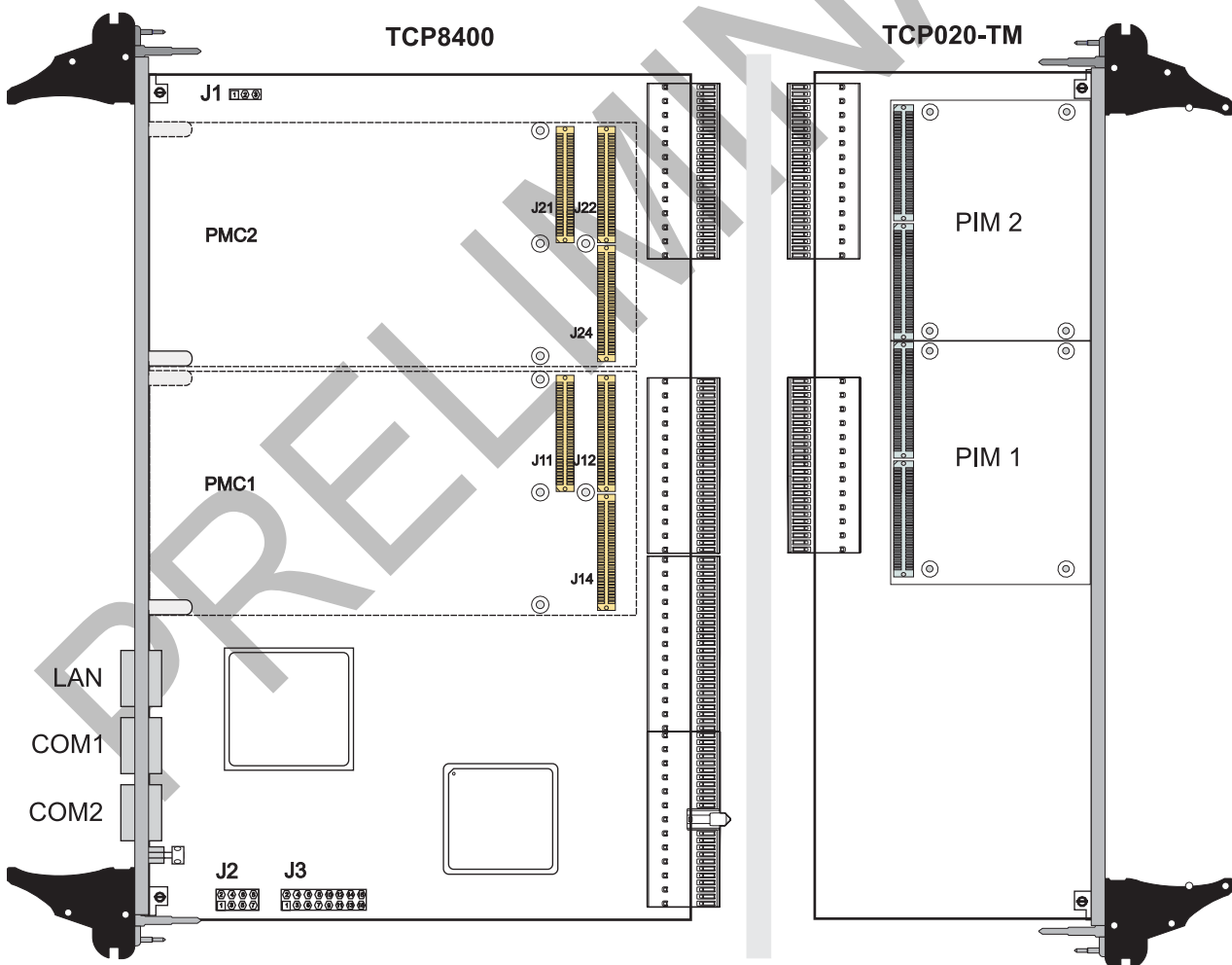
The TCP8400 is a 6U cPCI PMC carrier board featuring the highly integrated MPC8245 Power PC microprocessor including a G2 MPC603e CPU core, a powerful memory controller plus a flexible interrupt controller. The MPC8245 processor directly connects to the TCP8400 on board PCI bus.

The TCP8400 provides two PMC slots (32 bit, 33 MHz, universal signaling voltage PCI) with cPCI J3/J5 backplane I/O.

Along with the TCP020-TM rear I/O transition module the TCP8400 provides a complete PMC rear I/O solution for cPCI systems.

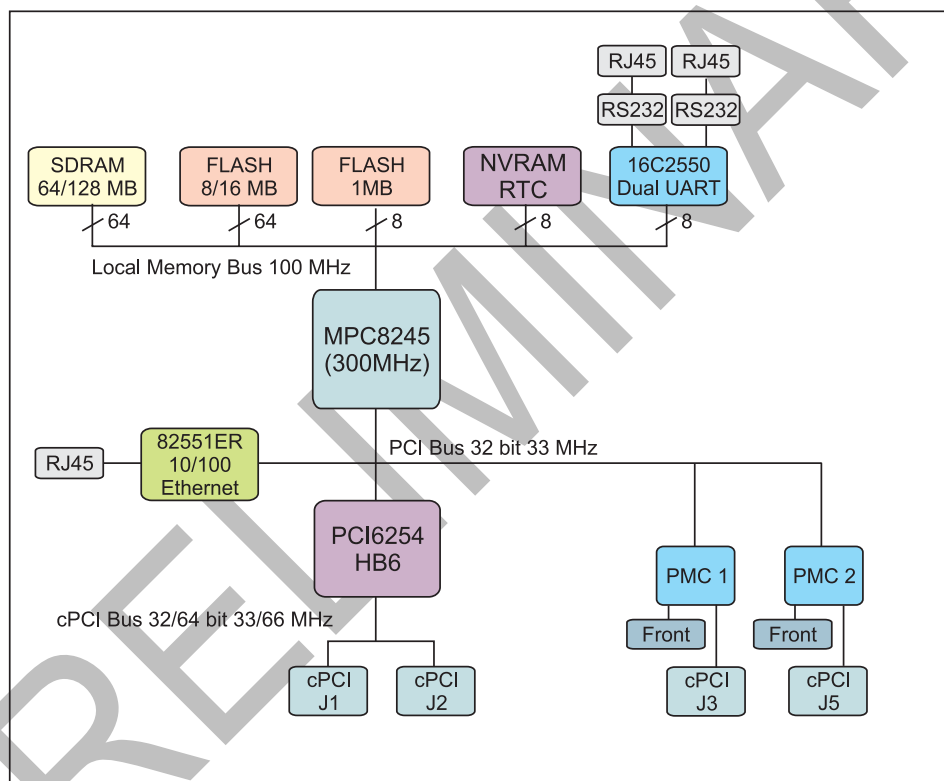
Other on board resources are: a 10/100 Mb/s Ethernet port (front panel access), 1 + 8 MB Flash memory, 64 MB System Memory, 8 KB NVRAM/RTC plus two asynchronous serial ports (front panel access).

The TCP8400 uses the PLX PCI6254 Universal PCI Bridge at the cPCI interface and supports system slot (cPCI Monarch) and peripheral slot operation (auto mode detection).



### Technical Information

- Freescale MPC8245 CPU, 300 MHz PowerPC G2 Core, 16 KB / 16 KB L1-Cache, timers
- Intel 82551ER Fast Ethernet Controller, 10/100 Mb/s Ethernet Interface, RJ45 front I/O
- PLX PCI6254 Universal PCI-PCI Bridge as CompactPCI interface, System Slot and Peripheral Slot support
- Two PMC slots (32 bit, 33 MHz, Universal Signaling Voltage), front I/O plus cPCI J3/J5 rear I/O
- 64 MB SDRAM (64 bit, 100 MHz) (ask for 128 MB SDRAM)
- 8 MB Flash Memory (64 bit) (ask for 16 MB Flash Memory)
- Two 32-pin PLCC sockets for up to 1 MB firmware Flash memory
- 8 KB NVRAM/RTC (exchangeable battery)
- Two asynchronous RS232 ports with RJ45 front I/O
- On board PMON debug monitor
- IEEE1101 Handles



Block Diagram TCP8400

The combination of the MPC8245 processor and the PMC slots provides a powerful CPU and a modular I/O solution for applications in process control, telecommunication, medical systems and traffic control.

Software support for the TCP8400 CPU board is available for VxWorks, Linux and LynxOS.

A PMON Bug Monitor is installed on the TCP8400.

For First-Time-Buyers the Engineering Documentation TCP8400-ED is recommended. The Engineering Documentation includes user manual, schematic, assembly drawing and data sheets.

**Order Information**

<b>TCP8400-10</b>	MPC8245-300 MHz, 64 MB SDRAM, 1 + 8 MB Flash, Fast Ethernet, 2 PMC Slots with cPCI J3/J5 I/O, IEEE1101 Handles
<b>TCP8400-DOC</b>	User Manual, includes documentation for PMON Bug Monitor
<b>TCP8400-ED</b>	Engineering Documentation (User Manual, Schematic, Assembly Drawing, Device Documentation)
<b>TCP020-TM-10</b>	PIM Carrier Transition Module for 6U cPCI
<b>TPIM001-10</b>	PIM Module with HD50 SCSI-2 type connector
<b>TPIM002-10</b>	PIM Module with HD68 SCSI-3 type connector
<b>TCP8400-SW-40</b>	VxWorks Board Support Package
<b>TCP8400-SW-70</b>	LynxOS Board Support Package
<b>TBSP001-SW-80</b>	Linux Board Support Package

PRELIMINARY