



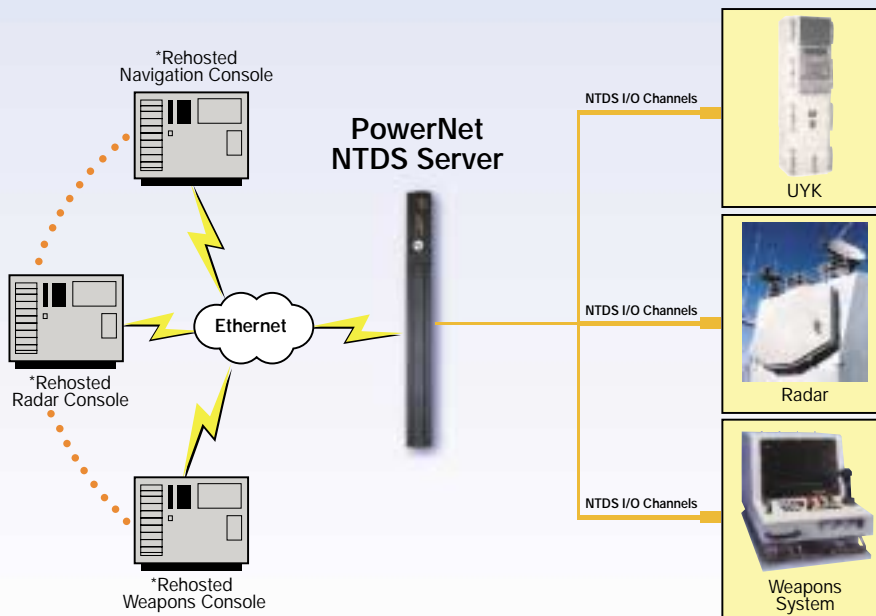
PowerNet™ NTDS Gateway

Put NTDS On The Network

Introduction

Now you can link NTDS devices to UNIX® or Windows® based systems over an Ethernet LAN, and enjoy the freedom and flexibility of sending real time NTDS data to systems that are not directly connected to NTDS I/O channels.

Sabtech's remarkable PowerNet NTDS Gateway links NTDS weapons, radar, and other systems with a variety of computers via Ethernet. It provides the real time, highly-reliable communications and control NTDS systems demand, without the bulky, costly, cable connections associated with legacy systems.



The heart of this powerful, new system from the premier provider of NTDS technology is the PowerNet™ NTDS Server. The server runs the NTDS operations with a real-time executive, so you can handle the most demanding NTDS requirements. This versatile, field-proven executive is used in tens of thousands of NTDS channels world-wide. The PowerNet NTDS server runs on a fast and reliable PowerPC platform.

An NTDS application using PowerNet runs in two parts. One part runs on the PowerNet client computer, the other on the PowerNet Server. These applications run concurrently and separately.



your NTDS specialist

SABTECH INDUSTRIES



PowerNet™ NTDS Gateway

Put NTDS On The Network

Unmatched Flexibility

PowerNet's software is as impressive as its hardware. When combined with C/C++ custom applications, PowerNet's Application Programming Interface (API) library provides a set of powerful, efficient functions that makes it easy to get your system online, fast.

Easy-to-build custom applications provide the programming flexibility NTDS users need. You can build these applications to run directly on the PowerNet server system with API calls embedded in your code. PowerNet software can be utilized to customize message processing or perform tasks that offload the main system processor.

The PowerNet API includes support for the Aegis Tactical Executive System (ATES) message protocol, greatly simplifying application development.

PowerNet NTDS Gateway supports the migration of legacy systems into the network-centric architectures for naval communications specified by Open Architecture (OA), FORCENET, Task Force Web, IT-21, and Joint Vision 2010

Put your NTDS systems on the network with the latest technology from Sabtech, the company that represents more than twenty years experience designing NTDS systems and an impressive reputation for customer support.



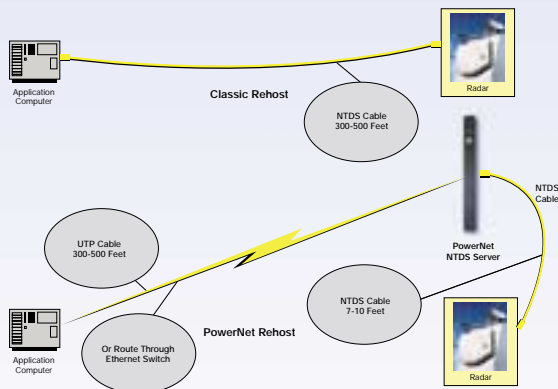
PowerNet™ NTDS Gateway

Put NTDS On The Network

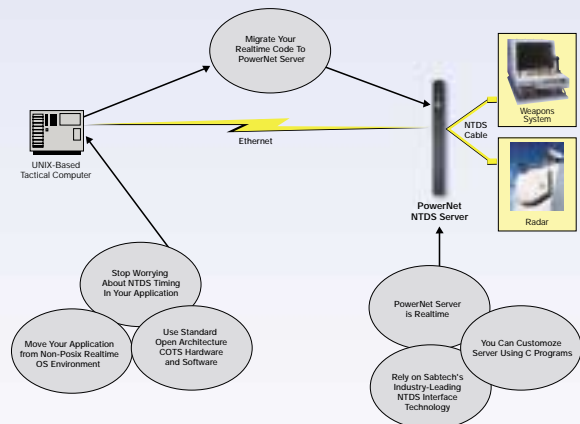
There are multiple ways to leverage the power and flexibility of PowerNet NTDS Gateway:

- Connect networked workstations to legacy NTDS equipment (main diagram)
- Replace bulky, costly, NTDS cable runs
- Run tactical programs on non-realtime systems
- Support lab-based NTDS system simulators /emulators
- Use its tap capability to collect and transfer NTDS data

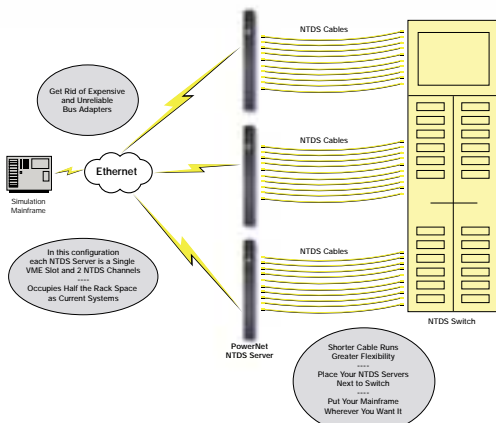
Replace Bulky, Costly NTDS Cable Runs



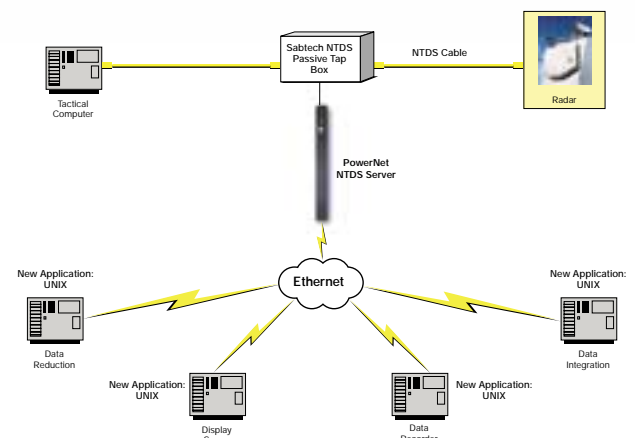
Run Tactical Programs on Non-Realtime Systems



Great for Lab-Based NTDS System Simulators/Emulators



Tap Critical NTDS Data Directly to Network





PowerNet™ NTDS Gateway

Put NTDS On The Network

Features

- Provides an NTDS to Ethernet bridge. Transfer combat system data via ethernet between any ship or land based system
- Can be configured for any combination of NTDS Parallel (A/B/C/H) or NTDS Serial (D/E) for up to 2 channels per server
- Collect & transmit data using the built in NTDS passive tap capability on the PowerNet server
- Real time trace capability
- Server can be upgraded in the field
- Remote configuration & communication with the server
- Multi-platform client API library

Specifications

The PowerNet NTDS Gateway includes:

- Client Software with choice of:
 - UNIX
 - LynxOS
 - *Windows 2000/XP
 - PowerNet NTDS Server (PowerPC based)
- Available in a VME or Rackmount Form Factor*
- 2 Ethernet ports
 - 2 NTDS channels – Choice of Parallel or Serial

*Check with factory for availability

Ordering Information

The PowerNet NTDS Gateway can be configured for any combination of NTDS Parallel (A/B/C/H) or NTDS Serial (D/E) for up to 2 channels.

Product Name	Part Number (Choose your configuration)					
PowerNet NTDS Gateway	PX-P	N	X	X	X	-00
		N= 6 U VME Form Factor	X= # of NTDS Serial D Channels	X= # of NTDS Serial E Channels	X= # of NTDS Parallel ABCH Channels	

For additional configurations please contact a Sabtech sales representative at 714.692.3800 or sales@sabtech.com



23231 La Palma Ave. Yorba Linda, CA 92887-4768

www.sabtech.com
 sales@sabtech.com
 Phone: 714.692.3800
 Fax: 714.692.3838