

VPort 3310 series

Rugged Design, 1-channel MPEG4 Industrial Video Server (Encoder)



Highlights

- Compress analog video/audio signals in MPEG4 video stream
- Multicast (IGMP) for transmission efficiency
- Video stream up to 30 frames/sec at CIF (352 x 240) resolution
- Free VPort SDK and 4-channel video surveillance software
- Rugged design for industrial applications



Features

High Performance Video/Audio Networking Solution

- Works with NTSC/PAL analog video cameras
- MPEG4 video compression technology
- 1 BNC video input and 1 BNC video output
- 1 audio input with Line-in and MIC-in connection
- Support standard RTSP (Real-time streaming protocol) for easy integration
- Multicast (IGMP V3) protocols supported for efficient network transmission
- PPPoE and DDNS supported for the convenience of xDSL connection
- SNMP(V1/V2c/V3) MIB-II supported for network management
- Built-in web server for remote access & configuration
- 1 auto-sensing 10/100BaseT(X) Ethernet port
- TCP, UDP, and HTTP network transmission mode
- Maximum 10 clients access simultaneous
- Configure video quality for CBR (constant bit rate) or VBR (variable bit rate)
- 4CIF, VGA, CIF, and QCIF video resolution supported
- Timestamp and text overlay supported
- RS-232/485 COM port supported for controlling PTZ (PAN/TILT/ZOOM) motorized camera
- UPnP and IP filtering supported

Industrial Rugged Design

- Dual 24 VDC redundant power inputs with LED indicators
- -40 to 75°C operating temperature for critical industrial environment (T models)
- DIN-Rail Mounting or Panel Mounting (with optional kit) installation
- IP30 form factor protection

Intelligent Alarm Triggered Capability

- Built-in Video Motion Detection (VMD)
- Equipped with 2 DIs and 2 Relays (DOs) for external sensors and alarms
- Pre, Trigger, and Post alarm snapshot images provided
- Sequential snapshot images supported
- Messages with snapshot images can be sent via FTP and E-mail
- Alarm schedule setting capability

Video Management and Control

- MOXA SoftDVR™ Lite IP Surveillance Software for viewing and recording bundled free
- Free MOXA VPort SDK supported with flexible interface and sample codes for customized application or system integration

* Please contact with MOXA sales representative if you require VPort SDK

Introduction

VPort 3310 is a 1-channel Industrial Video Server (Encoder) that uses the standard MPEG4 algorithm, and features DIN-Rail Mounting capability, 24 VDC redundant power inputs, and IP30 protection to meet the requirements of industrial environments. The cutting edge MPEG4 algorithm gives VPort 3310 an FPS of up to 30 in CIF resolution (352 x 240), with maximum bandwidth of

1.6 Mbps, to provide high video performance and more efficient network transmission. In addition, VPort 3310 also supports audio communication for a voice over IP solution, making the control of your video surveillance system more real-time.

MPEG4 Compression for Best Video/Audio Performance

VPort 3310 is equipped with the high performance MPEG4 compression engine for synchronal video/audio surveillance. The cutting-edge MPEG4 technology reduces the bandwidth requirement

significantly to make the video-over-IP system more efficient, allowing you to transmit more video/voice/data over the IP network.

Triggering Intelligent Alarm Messages with VMD and Digital I/O Devices

VPort 3310 supports VMD (Video Motion Detection) and 2 Digital Input/Relay Output (DOs) connectors for designing intelligent alarm message triggered functions. Create an integrated video-over-IP

system with MOXA SoftDVR Pro IP Surveillance Software, or use the MOXA VPort SDK to develop a customized video-over-IP system.

: Specifications

Video

Video Compression: MPEG4 (SP)

Video Input: 1, BNC connector

Video Output: 1, loop-trough BNC connector

NTSC/PAL: Auto-sensing or manual

Video Resolution and FPS (Frame per second):

| | NTSC | | PAL | |
|-------------|-----------|----------|-----------|----------|
| | Size | Max. FPS | Size | Max. FPS |
| QCIF | 176 x 120 | 30 | 176 x 144 | 25 |
| CIF | 352 x 240 | 30 | 352 x 288 | 25 |
| VGA | 640 x 480 | 10 | 640 x 576 | 8 |
| 4CIF | 704 x 480 | 10 | 704 x 576 | 8 |

Video Viewing:

- Adjustable image size and quality
- B/W or Color control
- Timestamp and text overlay

Audio

Audio Input: 1 Line-in port; 1 Mic-in port

Network

Protocols: TCP, UDP, HTTP, SMTP, FTP, RTSP, RTP, RTCP, NTP, DNS, DDNS, IGMPv3, SNMPv3, DHCP, UPnP, and PPPoE

Ethernet: 1 10/100BaseT(X) auto negotiation Port (RJ45)

Serial Port

COM port: 1, RS-232 in DB9 Male or RS-485 in Terminal Block, max. 115.2 Kbps

GPIO

Digital Input: 2, max. 8 mA
 "High": +13V to +30V
 "Low": -30V to +3V

Relay Output: 2 (max. 24VDC@ 1A)

LED Indicators

PWR1: Power 1

PWR2: Power 2

FAULT: Power failure

VIDEO: Video input

AUDIO: Audio input

SERIAL: COM port status

Mechanical

Casing: IP30 protection, metal case

Dimension (W x H x D): 52.98 x 135 x 105 mm
 2.09 x 5.31 x 4.13 in

Weight: 790 g

Installation: DIN-Rail Mounting, Wall Mounting (with optional kit)

Power Requirement

Input: 2 24 VDC power inputs with redundant purpose

Environment

Operating Temperature: 0 to 60°C (32 to 140°F)
 -40 to 75°C (-40 to 167°F) for T model

Storage Temperature: -40 to 85°C (-40 to 185°F)

Humidity: 5 to 95% (non-condensing)

Regulatory Approvals

EMI: FCC Part 15, CISPR (EN55022) class B

EMS: EN61000-4-2 (ESD), Level 3
 EN61000-4-3 (RS), Level 3
 EN61000-4-4 (EFT), Level 4
 EN61000-4-5 (Surge), Level 3
 EN61000-4-6 (CS), Level 3
 EN61000-4-8
 EN61000-4-11
 EN61000-4-12

Shock: IEC60068-2-27

Freefall: IEC60068-2-32

Vibration: IEC60068-2-6

MTBF: 152,000 hrs

Warranty

5 years

Alarm Features

- Video motion detection with sensitivity tuning
- Daily repeat timing schedule
- JPEG snapshots for pre/trigger/post alarm images
- Automatic transfer of stored images via email or FTP with event-triggered actions

PAN/TILT/ZOOM

- PTZ camera control through RS-232/485
- Automatic PTZ camera model detection
- Supported devices and protocol: Sony VISCA, Cannon VC-C1/VC-C3/VC-C4, Dynacolor SmartDOME, Dynacolor SmartDOME, Pelco D protocol, Liling PIH-7x00 (Pending), Ernitec, and Custom Camera

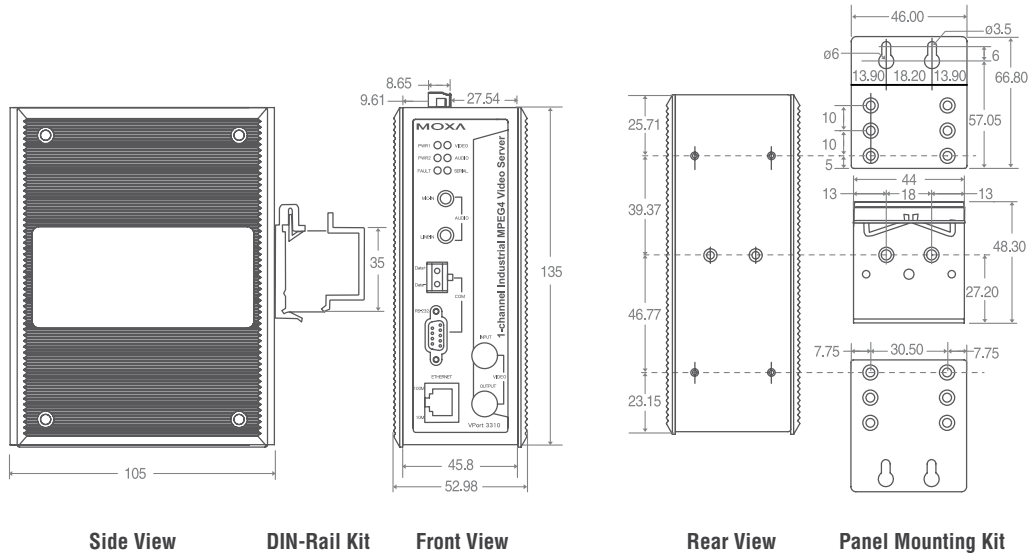
Security

- User level password protection
- IP address filtering

Software Bundled Free

MOXA SoftDVR™ Lite: 1- to 4-channel IP Surveillance Software for viewing & recording

Dimensions (unit = mm)



Ordering Information

- **VPport 3310:** 1-channel MPEG4 Industrial Video Server with 24 VDC power input, 0 to 60°C
- **VPport 3310-T:** 1-channel MPEG4 Industrial Video Server with 24 VDC power input, -40 to 75°C

Items included:

- 1 VPport 3310 Video Server
- Quick Installation Guide
- CD with User's Manual, SoftDVR™ Lite IP Surveillance Software
- I/O Terminal Block Kit

Optional Accessories

- **DR-4524:** 45W/2A DIN-Rail 24 VDC Power Supply, 85 to 264 VAC input
- **DR-75-24:** 75W/3.2A DIN-Rail 24 VDC Power Supply, 85 to 264 VAC input
- **DR-120-24:** 120W/5A DIN-Rail 24 VDC Power Supply, 88 to 132 VAC/176 to 264 VAC input by switch
- **WK-46:** Wall Mounting kit