

ThinkCore W325 New

ThinkCore W325

Mini RISC-based Ready-to-Run Wireless Embedded Computer with GSM/GPRS, 2 Serial Ports, LAN, SD, and Linux OS



Features

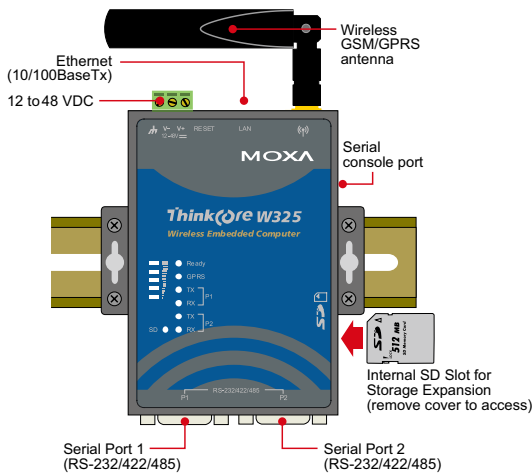
- MOXA ART ARM9 32-bit 192 MHz processor
- On-board 32 MB RAM, 16 MB flash disk
- Built-in quad band GSM/GPRS 850/900/1800/1900 MHz
- GPRS Class 10, Coding Scheme from CS1 to CS4 supported
- 2 software-selectable RS-232/422/485 serial ports
- 10/100 Mbps Ethernet for network redundancy
- Designed to withstand continuous 5G vibration and 50G shock
- SD socket for storage expansion supported
- Ready-to-run Linux Kernel 2.6 platform
- DIN-rail or wall-mount installation
- Robust, fanless design



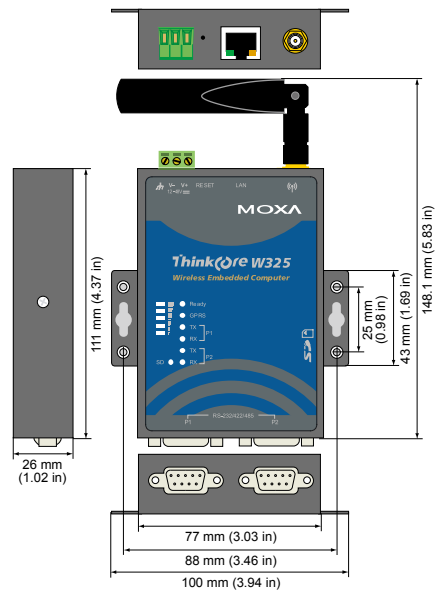
Overview

The ThinkCore W325 embedded computer features 2 software-selectable RS-232/422/485 serial ports, quad band GSM/GPRS 900/1800/850/1900 MHz for cellular communication, 1 Ethernet port, and an SD socket for external storage expansion. The MOXA ART 32-bit ARM9 processor and the built-in Linux operating system provide a powerful and reliable platform for any harsh, industrial environment, promising an ideal solution for industrial M2M applications such as data acquisition, protocol conversion, and remote device control and monitoring.

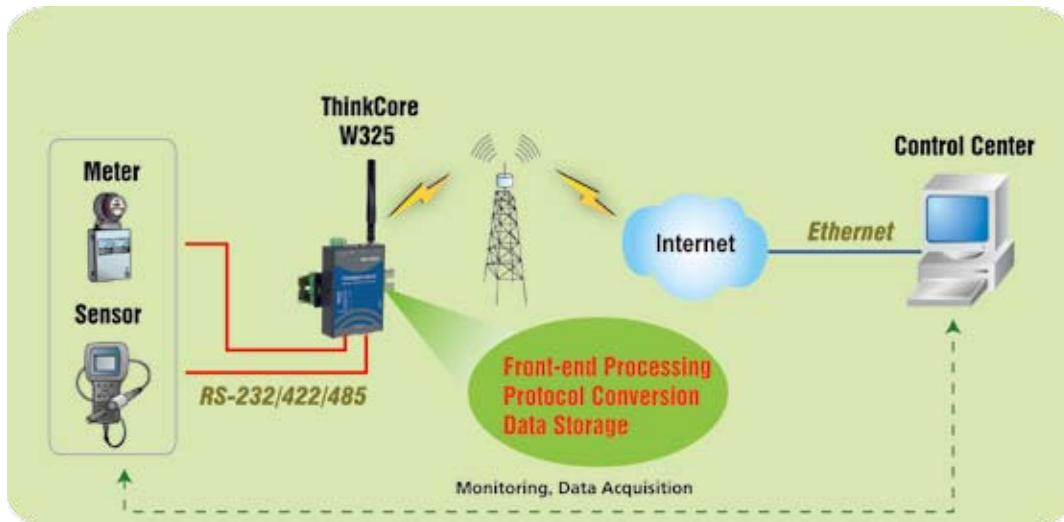
Appearance



Dimensions



Typical Application



Hardware Specifications

System

CPU: MOXA ART ARM9 32-bit RISC CPU, 192 MHz

DRAM: 32 MB

Flash: 16 MB

Storage Expansion: SD socket x 1 for storage expansion

Console Port: RS-232 x 1 (TxD, RxD, GND), 4-pin header output

Button: Reset button x 1, support "Reset to Factory Default"

Others: RTC, buzzer, Watchdog Timer

OS: Built-in Embedded Linux with MMU support

Cellular Communication

Cellular Mode: GSM, GPRS

Radio Frequency Band: 850/900/1800/1900 MHz

GPRS Class: 10

Coding Schemes: CS1 to CS4

Network Communication

LAN: Auto-sensing 10/100Mbps x 1, RJ45

Protection: Built-in 1.5KV magnetic isolation protection

Serial Communication

Serial Port: 2 software selectable RS-232/422/485 port, DB9 male connector

Protection: Built-in 15KV ESD protection for all signals

Data bits: 5, 6, 7, 8

Stop bits: 1, 1.5, 2

Parity: None, Even, Odd, Space, Mark

Flow Control: RTS/CTS, XON/XOFF, RS-485 ADDC™

Speed: 50 bps to 921.6 Kbps, support Any Baud Rate

LEDs

System: Ready, SD

Cellular: GPRS Enable, GSM Signal Strength

LAN: 10M/Link (on connector), 100M/Link (on connector)

Serial: TxD, RxD

Power Requirements

Power Input: 12 to 48 VDC

Mechanical

Dimension: (WxDxH):

77 x 111 x 26 mm (without wall mount ear and antenna)

Weight: 195 g

Antenna: 110 mm

Construction Material: aluminum, 1 mm

Mounting:

Wall mounting, DIN-rail (optional, need DK35A DIN-rail kit)

Environmental

Operating Temperature:

-10 to 60°C (14 to 140°F), 5 to 95% RH

Storage Temperature:

-20 to 80°C (-4 to 176°F), 5 to 95% RH

Anti-Vibration: 5G @ IEC-68-2-6, sine wave, 5-500 Hz, 1 Oct./min, 1 hr/axis.

Anti-Shock: 50G @ IEC-68-2-27, half sine wave, 30 ms

Regulatory Approvals

EMC: FCC, CE (Class A)

Safety: TÜV, UL, cUL

Others: RoHS, CRoHS, WEEE

Warranty: 5 years

Software Specifications

Linux

Kernel Version: 2.6.9

Boot Loader: Redboot

Protocol Stacks: TCP, UDP, IPv4, SNMP V1/V3, ICMP, IGMP, ARP, HTTP, CHAP, PAP, SSH 1.0/ 2.0, SSL, DHCP, NTP, NFS,SMTP, Telnet, FTP, PPP, PPPoE

File System: JFFS2 (on-board flash)

System Utilities: bash, busybox, tinylogin, telnet, ftp, scp

Supporting Services and Daemons:

telnetd: Telnet Server daemon

ftpd: FTP server daemon

sshd: Secure shell server

Apache: Web server daemon, support PHP and XML

OpenVPN: Virtual private network service manager

iptables: Firewall service manager

pppd: dial in/out over serial port daemon & PPPoE

snmpd: snmpd agent daemon

inetd: TCP server manager program

Application Development Environment:

MOXA Linux API Library

Linux Tool Chain: Gcc, Glibc, GDB

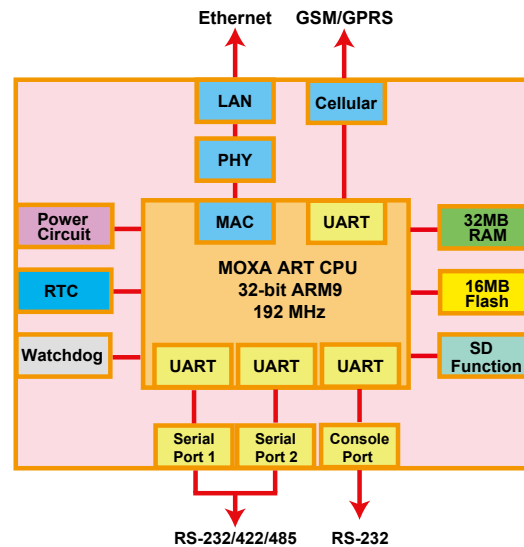
Windows Tool Chain: Gcc, Glibc,

Insight (Windows-based source level debug utility)

BINEncryptor: Encryption tool for binary files; based on MOXA Intellectual Protection Technology (Patented)

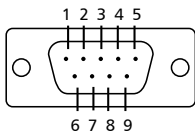
Device Drivers: SD Card, UART, RTC, Buzzer

H/W Block Diagram



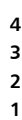
Pin Assignment

Male DB9



PIN	RS-232	RS-422	RS-485 (4-wire)	RS-485 (2-wire)
1	DCD	TxDA(-)	TxDA(-)	---
2	RxD	TxDB(+)	TxDB(+)	---
3	TxD	RxDB(+)	RxDB(+)	DataB(+)
4	DTR	RxDA(-)	RxDA(-)	DataA(-)
5	GND	GND	GND	GND
6	DSR	---	---	---
7	RTS	---	---	---
8	CTS	---	---	---

Serial Console port



PIN	
1	TxD
2	RxD
3	NC
4	GND



Ordering Information

ThinkCore W325-LX **NEW**

Mini RISC-based Ready-to-Run Wireless Embedded Computer with GSM/GPRS, 2 Serial Ports, LAN, SD, Linux OS

All items include

- 1 W325 embedded computer
- Quick Installation Guide
- Document & Software CD
- GSM/GPRS Antenna
- Ethernet cross-over cable: RJ45 to RJ45, 100 cm
- Console port cable: CBL-4PINDB9F-100: 4-pin header to DB9 (Female) cable, 100 cm
- Universal Power Adaptor
- Product Warranty Statement