

# EDS-P308 Series

## 8-Port IEEE802.3af PoE Unmanaged Ethernet Switch



### Highlights

- > 4 IEEE802.3af-compliant PoE and Ethernet combo ports
- > Provides up to 15.4 watts at 48 VDC per PoE port
- > Intelligent power consumption detection and classification
- > Redundant dual VDC power inputs
- > -40 to 75°C operating temperature range (T model)



### Features

#### High Performance Network Switching Technology

- 10/100BaseT(X) (RJ45)
- IEEE802.3/802.3u/802.3x
- Store and Forward switching process type
- 10/100M, Full/Half-Duplex, MDI/MDI-X auto-sensing

#### Power-over-Ethernet Technology

- IEEE802.3af compliant
- Provides up to 15.4 watts at 48 VDC per PoE port
- Intelligent power consumption detection and classification

#### Industrial-grade Reliability

- Power failure, port break alarm by relay output
- Redundant dual DC power inputs

#### Rugged Design

- Operating temperature range from 0 to 60°C, or -40 to 75°C for T model
- IP30, rugged high-strength case
- DIN-Rail or panel mounting ability

#### Recommended Accessories

- SPL-24 series PoE splitter with 12.95 watts at 24 VDC
- DR series DIN-Rail 48 VDC power supplies

### Introduction

The EDS-P308 is a smart, 8-port unmanaged Ethernet switch supporting PoE (Power-over-Ethernet) on ports 1 to 4, and is classified as power source equipment (PSE). When used in this way, the EDS-P308 enables centralization of the power supply and provides up to

15.4 watts of power per port. The switch can be used to power IEEE 802.3af compliant powered devices (PD), eliminating the need for additional wiring.

### Specifications

#### Technology

**Standards:** IEEE802.3, 802.3u, 802.3x, 802.3af

**Processing Type:** Store and Forward

**Flow control:** IEEE802.3x full duplex, back pressure flow control

#### Interface

**RJ45 Ports:** 10/100BaseT(X) auto negotiation speed, F/H duplex mode, and auto MDI/MDI-X connection

**LED Indicators:** PWR1, PWR2, Fault, 10/100M, PoE

**DIP Switch:** Port break alarm mask

**Alarm Contact:** One relay output with current carrying capacity of 0.5A @ 48 VDC

#### Power

**Input Voltage:** 48 (46 to 50V) VDC, redundant inputs

**Max. Input Current:** 1.6 A (@ 48 VDC)

**Connection:** Removable 6-pin terminal block

**Overload Current Protection:** 2.5 A (@ 48 VDC)

**Reverse Polarity Protection:** Present

### PoE (per port)

- Max. Output Power:** 15.4W
- Output Voltage:** 44 to 48.5 VDC
- Max. Output Current:** 350 mA
- Max. Overload Protection:** 400 mA

### Mechanical

- Casing:** IP30 protection, metal case
- Dimensions (W × H × D):** 53.6 × 135 × 105 mm  
2.11 x 5.31 x 4.13 in
- Weight:** 840 g
- Installation:** DIN-Rail, Wall Mounting (optional kit)

### Environmental

- Operating Temperature:** 0 to 60°C (32 to 140°F)  
-40 to 75°C (-40 to 167°F) for T model
- Storage Temperature:** -40 to 85°C (-40 to 185°F)
- Ambient Relative Humidity:** 5 to 95% (non-condensing)

### Regulatory Approvals

- Safety:** UL508 (Pending)
- Hazardous Location:**  
UL/cUL Class I, Division 2, Groups A, B, C, and D  
ATEX Class I, Zone 2, EEx nC IIC (Pending)
- Maritime:** DNV, GL (Pending)
- EMI:** FCC Part 15, CISPR (EN55022) class A
- EMS:** EN61000-4-2 (ESD), level 3  
EN61000-4-3 (RS), level 3  
EN61000-4-4 (EFT), level 3  
EN61000-4-5 (Surge), level 3  
EN61000-4-6 (CS), level 3  
EN61000-4-8  
EN61000-4-11

- Shock:** IEC60068-2-27
- Freefall:** IEC60068-2-32
- Vibration:** IEC60068-2-6

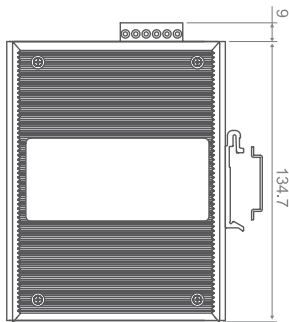
\*Please check MOXA's website for the most up-to-date certification status.

### Warranty

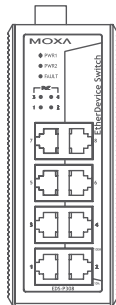
5 years

## Dimensions (unit = mm)

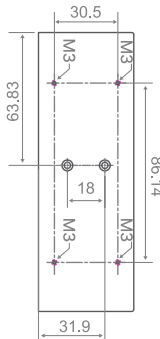
[ EDS-P308 ]



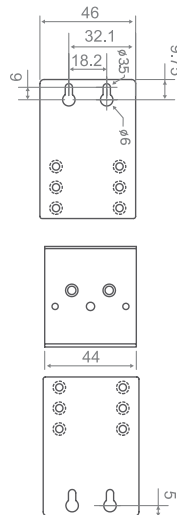
Side View



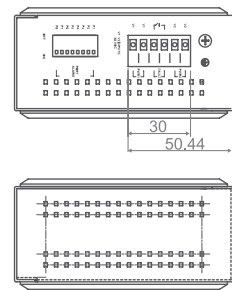
Front View



Rear View



Panel Mounting Kit



Top and Bottom View

## IEEE802.3af PoE Splitter, SPL-24



### Features

- ▶ IEEE802.3af compliant split power/data from PoE equipment
- ▶ Supports output power up to 12.95 W at 24 VDC
- ▶ Short circuit protection for power output
- ▶ Auto disconnection for over voltage of power input
- ▶ -40 to 75°C operating temperature range (T model)
- ▶ DIN-Rail mounting ability



**Technology**

**Standards:** IEEE802.3af

**Interface**

**RJ45 Ports:** 10/100BaseT(X) for PoE IN and DATA OUT

**LED Indicators:** Power

**Power**

**Input Voltage:** 44 to 75 VDC

**Output Voltage:** 24 VDC

**Output Power:** 12.95W (0.54A @ 24 VDC)

**Connection:** Removable 3-pin terminal block for output

**Overload Current Protection:** 400 mA (@ 48 VDC input)

**Efficiency:** 85% (at 25°C, fully loaded)

**Mechanical**

**Casing:** IP30 protection, plastic case

**Dimensions (W × H × D):** 24.87 × 109 × 88 mm  
0.98 x 4.29 x 3.46 in.

**Weight:** 95 g

**Installation:** DIN-Rail

**Environmental**

**Operating Temperature:** 0 to 60°C (32 to 140°F)  
-40 to 75°C (-40 to 167°F) for T model

**Storage Temperature:** -40 to 85°C (-40 to 185°F)

**Ambient Relative Humidity:** 5 to 95% (non-condensing)

**Regulatory Approvals**

**Safety:** UL508 (Pending)

**Hazardous Location:**

UL/cUL Class I, Division 2, Groups A, B, C, and D

ATEX Class I, Zone 2, EEx nC IIC (Pending)

**EMI:** FCC Part 15, CISPR (EN55022) class A

**EMS:** EN61000-4-2 (ESD), level 3

EN61000-4-3 (RS), level 3

EN61000-4-4 (EFT), level 3

EN61000-4-5 (Surge), level 3

EN61000-4-6 (CS), level 3

EN61000-4-8

EN61000-4-11

**Shock:** IEC60068-2-27

**Freefall:** IEC60068-2-32

**Vibration:** IEC60068-2-6

**MTBF:** 5,100,000 hrs

Database: MIL-HDBK-217F, GB 25°C

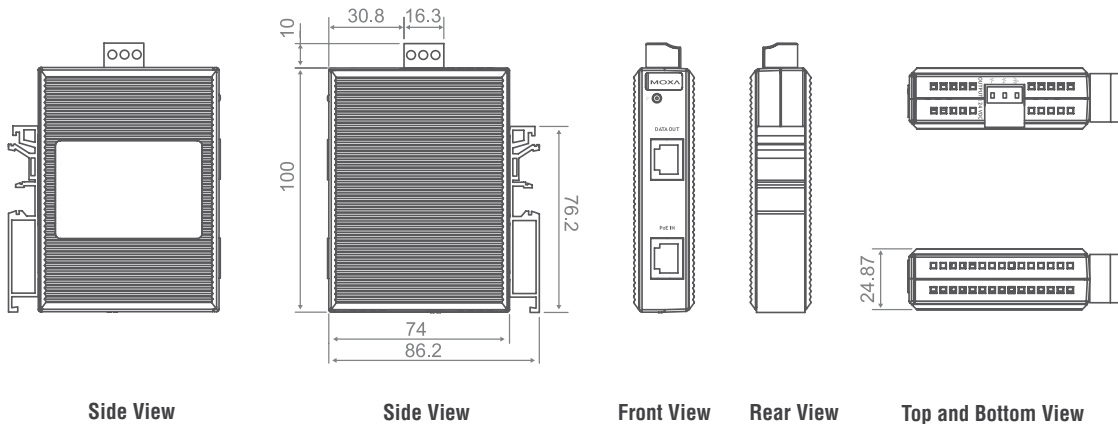
\*Please check MOXA's website for the most up-to-date certification status.

**Warranty**

5 years

**Dimensions (unit = mm)**

[ SPL-24 ]



**Ordering Information**

EDS-P308-B

<b>Ordering Code Definition</b>	<b>Transmission</b>	<b>Operating Temperature</b>
	P: Power-over-Ethernet	T: Operating Temp. -40 to 75°C (Standard Models: 0 to 60°C)
<b>Available Models</b>	<b>Standard:</b> • EDS-P308	<b>Wide Temperature:</b> • EDS-P308-T
<b>Optional Accessories</b>	<ul style="list-style-type: none"> <li>• <b>SPL-24:</b> PoE splitter, maximum output of 12.95W at 24 VDC, 0 to 60°C</li> <li>• <b>SPL-24-T:</b> PoE splitter, maximum output of 12.95W at 24 VDC, -40 to 75°C</li> <li>• <b>DR-75-48:</b> 75W/1.6A DIN-Rail 48 VDC Power Supply with universal 85 to 264 VAC input</li> <li>• <b>DR-120-48:</b> 120W/2.5A DIN-Rail 48 VDC Power Supply with 88 to 132 VAC/176 to 264 VAC input by switch</li> <li>• <b>WK-46:</b> Wall Mounting Kit</li> </ul>	