

Datasheet

# 2.5" SATA SSD

## 3MG2-P series

- 2.5" SATA III solution for industrial field
- 7mm height mechanical design
- High IOPS
- Intelligent error recovery system
- iSMART disk health monitoring
- iData Guard for abnormal power failure
- iCell technology for data protection (optional)
- DEVSLP supported



### Introduction

Innodisk 2.5" SATA SSD 3MG2-P is SATA III 6Gb/s flash based disk, which delivers excellent performance, especially in random data transfer rate, and which offers reliability making it the ideal solution for a variety of applications, including embedded system, industrial computing, and enterprise field. 3MG2-P 2.5" SSD not only performs unmatched performance, but also designed with Innodisk owned technical knowhow to ensure the data integrity and highest levels of reliability. Additionally, 3MG2-P SATA SSD can support device sleep mode (DEVSLP) and thus be able to benefit in extreme low power consumption.

# 2.5" SATA SSD

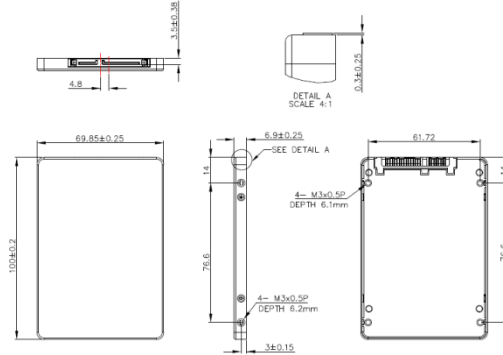
## 3MG2-P series

### Drawing

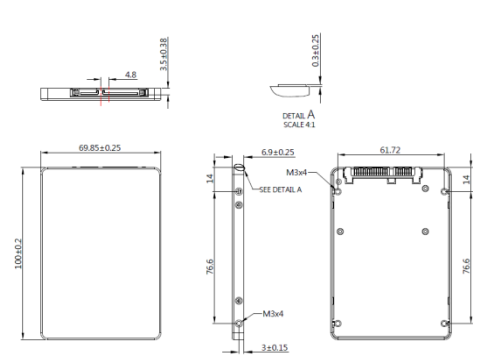
Contact us for more information about the 2.5" SATA SSD 3MG2-P

Innodisk is a service-driven provider of industrial embedded flash and DRAM storage products and technologies, with a focus on the industrial/embedded, aerospace and defense, and cloud computing industries.

\* DGS25-XXXD81BX1XC



\* DGS25-XXXD81BX3XC



### Specifications

Interface	SATA III
Flash Type	MLC
Capacity	8GB~2TB (2TB is compliant with 9.5 mm height housing)
Max. Channels	4
Sequential R/W (MB/sec, max.)*	520 / 480 MB/s
4KB Random (QD32) R/W (IOPS)*	70,000/64,000
Max. Power Consumption	6 W (5V x 1.2A )
Thermal Sensor	√
External DRAM Buffer	√
H/W Write Protect	-
ATA Security	√
S.M.A.R.T.	√
DEVSLP Mode	√ (min. power consumption 3mW)
Slumber Mode	√ (min. power consumption 30mW)
Dimension (WxLxH)	69.8 X 100.0 X 6.8 mm(8GB-1TB) 69.8 X 100.0 X 9.5 mm(2TB)
Environment	Vibration: 20G @7~2000Hz Shock: 1500G @ 0.5ms Storage Temperature: -55°C ~ +95°C MTBF: 3 million hours
* Sequential performance based on CystalDiskMark 3.03 with file size 1000MB	

#### Headquarters (Taiwan)

5F., No.237, Sec. 1, Datong Rd.,  
Xizhi Dist., New Taipei City,  
Taiwan (R.O.C.)  
Tel: +886-2-77033000  
Email: sales@innodisk.com

#### Branch Offices:

USA  
[usasales@innodisk.com](mailto:usasales@innodisk.com)  
+1-510-770-9421  
Europe  
[eusales@innodisk.com](mailto:eusales@innodisk.com)  
+31-40-3045-400  
Japan  
[jpsales@innodisk.com](mailto:jpsales@innodisk.com)  
+81-3-6667-0161  
China  
[sales\\_cn@innodisk.com](mailto:sales_cn@innodisk.com)  
+86-755-21673689  
[www.innodisk.com](http://www.innodisk.com)

© 2017 Innodisk Corporation.  
All right reserved. Specifications  
are subject to change without  
prior notice.

### Ordering Information (Please refer to TPS for detail)

20170323

Operation Temp.	8GB	16GB	32GB	64GB	128GB	256GB	512GB	1TB	2TB
Standard Grade (0°C ~ +70°C)	DGS25-08GD81*C3SC DGS25-08GD81*C1SC(P)	DGS25-16GD81*C3DC DGS25-16GD81*C1DC(P)	DGS25-32GD81*C3QC DGS25-32GD81*C1QC(P) DGS25-32GD81*CADN(P)	DGS25-64GD81*C1QC(P) DGS25-64GD81*CAQN(P)	DGS25-A28D81*C1QC(P) DGS25-A28D81*CAQN(P)	DGS25-B56D81*C1QC(P) DGS25-B56D81*CAQN(P)	DGS25-C12D81*C1QC(P) DGS25-C12D81*CAQN(P)	DGS25-01TD81*CAQC(P) DGS25-01TD81*CAQN(P)	DGS25-02TD81*CAQC DGS25-02TD81*CAQN
Industrial Grade (-40°C ~ +85°C)	DGS25-08GD81*W3SC DGS25-08GD81*W1SC(P)	DGS25-16GD81*W3DC DGS25-16GD81*W1DC(P)	DGS25-32GD81*W3QC DGS25-32GD81*W1QC(P) DGS25-32GD81*WADN(P)	DGS25-64GD81*W1QC(P) DGS25-64GD81*WAQN(P)	DGS25-A28D81*W1QC(P) DGS25-A28D81*WAQN(P)	DGS25-B56D81*W1QC(P) DGS25-B56D81*WAQN(P)	DGS25-C12D81*W1QC(P) DGS25-C12D81*WAQN(P)	DGS25-01TD81*WAQC(P) DGS25-01TD81*WAQN(P)	DGS25-02TD81*WAQC DGS25-02TD81*WAQN

Note: C stands for Toshiba flash/N stands for Micron flash, P is optional for icell  
\*S: Toshiba A19nm MLC and Micron 16nm MLC/ B: Toshiba 15nm

innodisk

[www.innodisk.com](http://www.innodisk.com)