

8-port Telum 628-TEJ model shown

Telum™ 624/628-TEJ

High Performance 4- or 8-Port T1/E1/J1 AdvancedMC™

Features

Interface Support

- 4- or 8-port T1/E1/J1
- RJ-48C connectors
- Fully protected, line compliant interface
- 128 or 256 DS0 channels
- Port software selectable interface
- Line status LEDs

Network Management

- On-board CSU/DSU

AMC Compliance

- AMC.0 R2.0 compliant
- AMC.1 PCI Express serial fabric interface with common option
- Hot swap capable

Software Support

- Carrier Grade Linux
- Comprehensive Driver Development Kit
- API

Applications

- Enterprise VoIP gateways
- Wireless base stations
- Enterprise routing
- Computer Telephony
- Convergence solutions
- Add/drop and switching
- DSLAMs

Product Reliability

- High MTBF
- Technical support for OEM customers and resellers

The Telum™ 624/628-TEJ is a high performance, cost effective, 4-port (624-TEJ) or 8-port (628-TEJ) T1/E1/J1 AdvancedMC module designed for high availability Telecom edge access applications. This module features 4 or 8 independent, fully protected, full duplex ports. The x4 PCI Express (PCIe) serial fabric interface is used as the central data/control transport medium.

The module's 8-port HDLC communication controller supports up to 256 channels with an integrated 32-bit/66 MHz PCI Bus interface and supports 4 or 8 full duplex T1/E1/J1 lines. This controller supports extracting HDLC frames, buffering these frames in local FIFOs, and transferring them to host memory through a PCI-to-PCIe Bridge. It also supports transparent mode. A microprocessor-based CSU/DSU subsystem provides network line management. Multiple data loopback and diagnostics modes are supported.

The Telum 624/628-TEJ delivers a unique, high performance T1/E1/J1 WAN I/O solution for ATCA and MicroTCA systems.

Intelligent Platform Management Interface & Hot Swap Compliance

An Intelligent Platform Management Interface (IPMI) subsystem initializes board level parameters, monitors board voltage and temperature conditions, maintains system status, and manages hot swap operation. An 8051-based microcontroller is used as the IPMI intelligence and connects to the ATCA System Management bus and the local PCIe Bridge device. The Telum 624/628-TEJ is hot swap capable and field replaceable in accordance with AMC.1.

Software

To simplify system integration, the Telum 624/628-TEJ employs a comprehensive set of software drivers that are compatible with Carrier Grade Linux operating systems. Additional software includes: a user friendly Application Programmers Interface (API), and a Driver Development Kit (DDK) that provides a common development environment for multiple interfaces.



Telum 624/628-TEJ High Performance 4- or 8-Port T1/E1/J1 AdvancedMC

Specifications

Bus Connect

- x1 PCI Express
- AMC Lanes 0 & 1 Common Options
- AMC.1 compliant

Board Resources

- Two quad-port framer/LIU
- 8-port HDLC controller
- x1 PCI-to-PCIe Bridge
- 8051-based IPMI subsystem

Power Requirements

- +12.0V @ 1.2A

Form Factor

- AMC.0 R2.0

T1/E1/J1 Interface

- Clear, channelized, full, & fractional channel support
- 128 or 256 DS0 channels
- D4 (SF) and ESF framing
- B8ZS and AMI (T1), AMI and HDB3 (E1) line coding
- ANSI T1.403, AT&T 54016 and 62411 compliant (T1)
- ITU G.703 (120 Ohm), G.704, G.706, G.962 (E1)
- Extensive test and loopback features including master & slave clocking
- Microprocessor-based CSU/ DSU for network line management

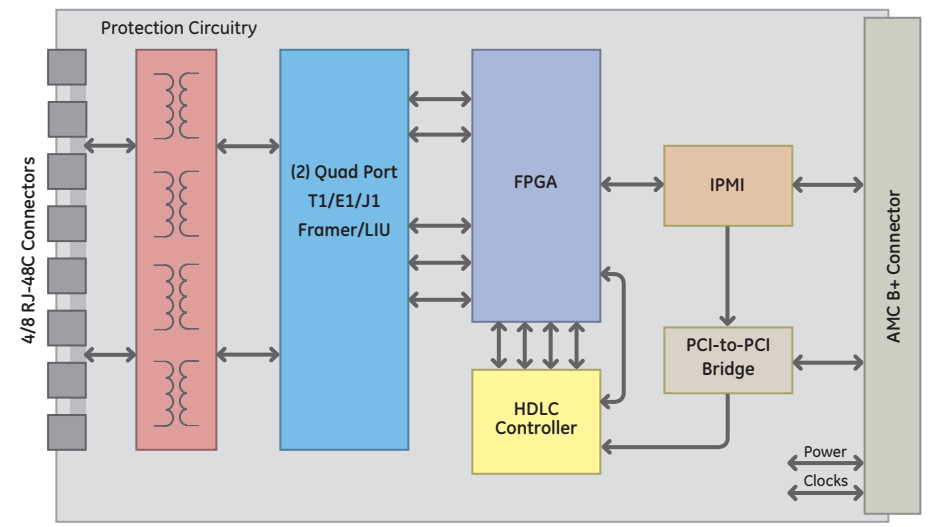
Environmental

- Operating temperature: 0°C to +55°C
- Storage temperature: -45°C to +85°C
- Humidity (R.H. non-condensing): Min. 20% Max. 95%

Regulatory Compliance

- FCC Part 15 Class "A"
- FCC Part 68 Telecom
- UL60950-1
- CSA22.1 No. 60950-1
- CE Mark
 - EN55022
 - EN55024
 - EN60950-1

Block Diagram



8-port Telum 628-TEJ model shown

Ordering Information

- 0624-611:** Telum 624-TEJ with 4 ports, RJ-48C connectors (RoHS); mid-size front panel
- 20624-612:** Telum 624-TEJ with 4 ports, RJ-48C connectors (RoHS); full-size front panel
- 20628-610:** Telum 628-TEJ with 8 ports, RJ-48C connectors (RoHS); full-size front panel
- 400030:** RJ48 -to- RJ48 Crossover Cable
- 400034:** RJ48 -to- RJ48 Straight Cable
- 800098:** RJ48 Loopback Plug

About GE Fanuc Intelligent Platforms

GE Fanuc Intelligent Platforms is a leading global provider of embedded computing solutions for a wide range of industries and applications. Our comprehensive product offering includes many types of I/O, single board computers, high performance signal processors, fully integrated, rugged systems including flat panel displays, plus high speed networking and communications products. The company is headquartered in the U.S. and has design, manufacturing and support offices throughout the world. Whether you're looking for one of our standard products or a fully custom solution, GE Fanuc Intelligent Platforms has the breadth, experience and 24/7 support to deliver what you need. For more information, visit www.gefanuc.com.

GE Fanuc Intelligent Platforms Information Centers

Americas:
1 800 322 3616 or 1 256 880 0444

Asia Pacific:
+81 3 5544 3973

EMEA:
Germany: +49 821 5034-0
UK: + 44 1327 359444

Additional Resources

For more information, please visit the GE Fanuc Intelligent Platforms web site at:

www.gefanuc.com

