



PMC613FXRC

Dual/Single 100BaseFX Ethernet Interface Card

Features

- PCI 66/33MHz capable
- Dual/single 100BaseFX ports
- SC or ST connectors
- Operating system support for Windows® 2000, Linux®, VxWorks®, LynxOS® and Solaris™
- RoHS 2002/95/EC compliant

PMC613FXRC offers one or two 100BaseFX ports that are each capable of full duplex operation in 100 Mbit mode. Each of the Ethernet/PCI interfaces includes a powerful DMA engine with very deep FIFO buffers. This assures continuous, full bandwidth operation with minimum PCI overhead. A state-of-the-art PCI/PCI bridge couples the Ethernet interfaces to the host PCI bus, assuring high performance with minimum PCI loading.

Operating System and Software Support

The PMC613FXRC is supported by native drivers for many common operating systems such as Windows and Linux. Software drivers are available from GE for additional operating systems including VxWorks, LynxOS and Solaris. These drivers have been carefully designed and implemented to fit within the LAN protocol stack of the host operating system. Thus all facilities available from the host OS can be used across the PMC613FXRC.



PMC613FXRC Single/Dual 100BaseFX Ethernet Card

Specifications

Ethernet Characteristics

- Ports: 1x or 2x 100BaseFX
- Port routing: Front (ST or SC connectors)

PCI Bus Characteristics

- Signaling: 3 & 5 V
- Specification: 2.2
- Speed: 66/33 MHz
- Width: 32 bits

Power Consumption

- 4.7 W typical
- 5.0 W maximum

Environmental

- Temperature
 - Operating: 0° to +60 °C
 - Storage: -40° to +85 °C
- Relative Humidity
 - Operating: 5% to 95%, noncondensing
 - Storage: 5% to 95%, noncondensing

MTBF

- 1,637,105 hours per Ground Benign, controlled at 40 °C

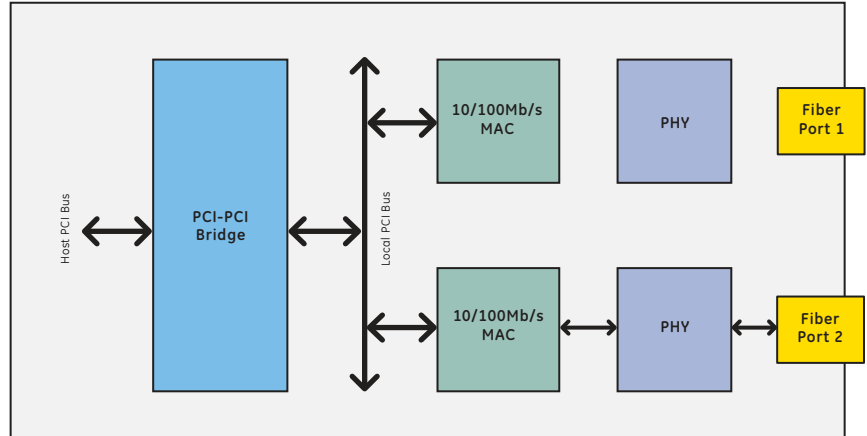
Regulatory Compliance

- RoHS 2002/95/EC
- EN55022:1998/A1:2001:2000/A2:2003
- FCC 47 CFR Part 15
- VCCI
- EN55024:1998/A1:2001/A2:2003
- IEC 60950-1:2005/EN60950-1:2006
- C22.2 No 60950-1-03
- UL 60950-1 1st Ed.

Other

- Conformal coating optional

Block Diagram



Ordering Information

PMC613FXRCSC	Dual port, 100BaseFX, SC connectors
PMC613FXRCSC-1	Single port, 100BaseFX, SC connector
PMC613FXRCST	Dual port, 100BaseFX, ST connectors
PMC613FXRCST-1	Single port, 100BaseFX, ST connector

About GE Intelligent Platforms

GE Intelligent Platforms, a General Electric Company (NYSE: GE), is an experienced high-performance technology company and a global provider of hardware, software, services, and expertise in automation and embedded computing. We offer a unique foundation of agile, advanced and ultra-reliable technology that provides customers a sustainable advantage in the industries they serve, including energy, water, consumer packaged goods, government and defense, and telecommunications. GE Intelligent Platforms is a worldwide company headquartered in Charlottesville, VA and is part of GE Home and Business Solutions. For more information, visit www.ge-ip.com.

GE Intelligent Platforms Contact Information

Americas: **1 800 433 2682** or **1 434 978 5100**

Global regional phone numbers are listed by location on our web site at www.ge-ip.com/contact

www.ge-ip.com

