

Features

- Standard single-width 32-bit PMC conforming to IEEE P1386.1
- PCI 2.1 compliant interface
- Card size: 149mm x 74mm
- 64 interrupt generating digital I/O lines
- 64 bit TTL I/O's arranged in 8 x 8 bit ports
- Direction programmable per 8 bit port
- TTL signaling voltage (maximum current: 6mA)
- ESD and overvoltage protection for each I/O line
- I/O access:
 - 64 I/O lines on HD68 front connector, parallel to
 - 56 I/O lines [55:0] and system ground on rear connector P14
- Basic operating modes: Byte I/O and two handshake modes
- Temperature range: -40°C to +85°C



PMC-TTL64-ET

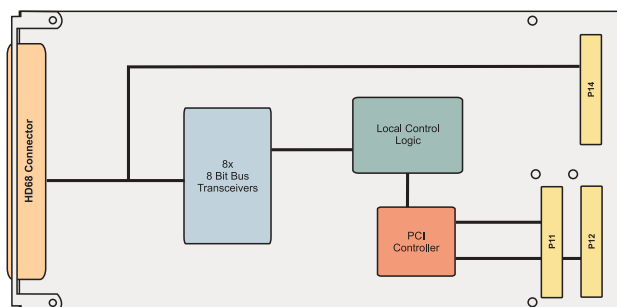
The PMC-TTL64-ET is a standard single-width 32-bit PCI Mezzanine Card (PMC) offering 64-bit of TTL I/O arranged in 8 x 8 bit ports. Direction of the I/O lines is software programmable for each of the 8 bit ports. Each 8 bit port is built up using a TTL bus transceiver. Each line is ESD protected and protected against overvoltage.

Each input can generate an interrupt. Signal edge handling is programmable to interrupt on rising and/or falling edge of the input signal. Interrupts can be enabled and disabled for each bit. For interrupt source detection the status of each bit can be read from the interrupt status register.

The PMC-TTL64-ET supports three basic modes of operation: standard byte I/O with interrupts, 2 x 16 bit port with handshake and 1 x 32 bit port with handshake. The two handshake modes offer double buffered inputs or outputs and interlocked or pulsed handshake protocol.

In byte I/O mode it is possible to read or write synchronously all 64 lines.

The PMC-TTL64-ET provides front panel I/O via a HD68 SCSI-3 type connector and rear panel I/O via P14.



Specifications

Form Factor	Single size PCI Mezzanine Card
Environmental	Operating temperature: -40°C to +85°C Humidity: 5% to 95% non-condensing Storage: -40°C to +125°C

Software Support Available from SBS

Driver Model #	Operating System
TCD842680	VxWorks
TCD865680	Windows XP/ME/2000

Corporate Headquarters

2400 Louisiana Blvd. NE, #5-600
Albuquerque, NM 87110-4316
Tel 505.875.0600 Fax 505.875.0400
Email info@sbs.com

European Headquarters

Memminger Str. 14
D-86159 Augsburg, Germany
Tel +49-821-5034-0 Fax +49-821-5034-119
Email sales@sbs-europe.com

Specifications subject to change without notice. All trademarks and logos are property of their respective owners.
©2003 SBS Technologies, Inc. 20030422

For additional contact information, please visit our web site at www.sbs.com

