

PrPMC2750

Processor PMC Module

Embedded Computing for
Business-Critical Continuity™

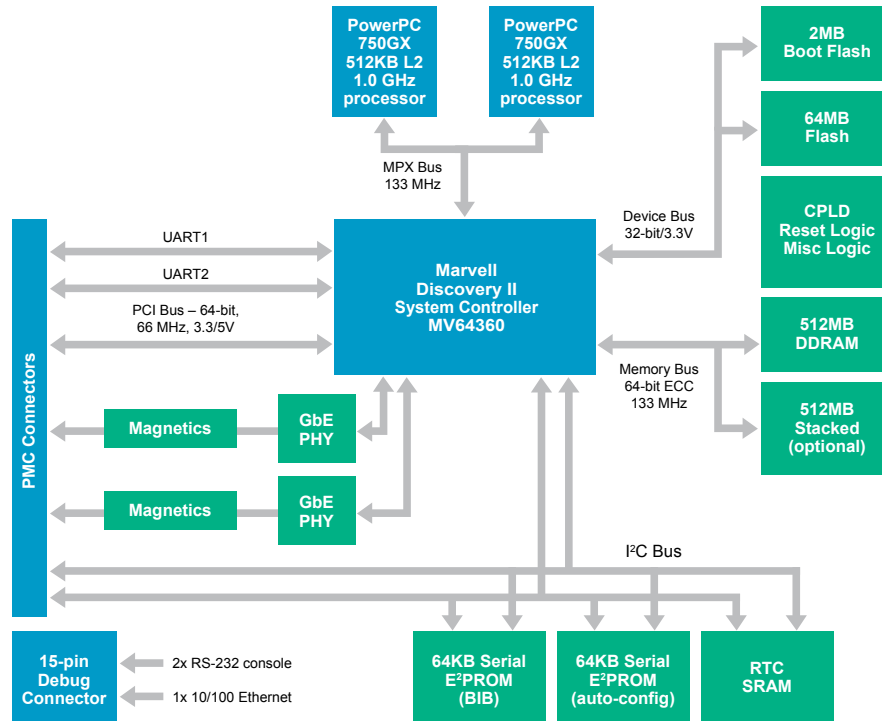
The Emerson PrPMC2750 is a high performance, high quality PowerPC processor PCI mezzanine card (PMC) in a module form factor.

- PowerPC 750GX processor at up to 1.0 GHz in single-processor configuration
- Optional dual-processor configuration
- Highly integrated Marvell Discovery II system controller
- Up to 1GB DDR SDRAM memory
- 64-bit/66 MHz PCI bus interface
- 64MB on-board flash memory
- Configurable monarch/non-monarch mode
- Dual/independent Gigabit Ethernet interfaces
- Dual serial interfaces

The Emerson PrPMC2750 is a high performance, high quality PowerPC® processor PCI mezzanine card (PMC) in a module form factor for space-constrained industrial control, communications, benign defense and aerospace, and other demanding applications. By adhering to industry standard technologies like PMC and PowerPC, the PrPMC2750 offers the advantage of solutions with flexibility, reliability, and longevity.



PrPMC2750 Block Diagram



Specifications

PROCESSOR

- PowerPC 750GX processor at up to 1.0 GHz in single-processor configuration
- Dual processor configuration optional

MEMORY

- 512MB ECC-protected SDRAM at 133 MHz, scaleable to 1GB
- 64KB L1 cache, 1MB L2 cache
- 64MB user flash
- 2MB boot flash

SYSTEM CONTROLLER

- Integrated 2Mb SRAM
- CPU interface – 1.8/2.5V, 64-bit 60x/MPX bus (100/133 MHz)
- SDRAM interface – 3.3V, 72-bit (64-bit, 8-bit ECC)

I/O CAPABILITIES

- Ethernet
 - ▲ Dual/independent Gigabit Ethernet
- Serial Interfaces
 - ▲ Dual RS-232 controllers
- PCI Interface
 - ▲ Monarch or non-monarch mode
 - ▲ 64-bit/66 MHz PCI bus
 - ▲ Four-channel DMA controller
 - ▲ I²C interface for multiple EEPROMs
- Debug Support
 - ▲ JTAG interface

SOFTWARE

- VxWorks real-time operating system (supports loosely coupled multiprocessing)
- Linux operating system (single CPU variant)

Ordering Information

Part Number	Description
PRPMC2750S-0001	1GHz MPC750GX processor, 512MB DDR SDRAM memory, 64MB flash, 6E

SOLUTION SERVICES

Emerson Network Power provides a portfolio of solution services optimized to meet your needs throughout the product lifecycle. Design services help speed time-to-market. Deployment services include global 24x7 technical support. Renewal services enable product longevity and technology refresh. Plus solution extras include enhanced warranty and repairs.

PowerPC is a trademark of IBM Corp. and used under license. All other product or service names are the property of their respective owners.

This document identifies products, their specifications, and their characteristics, which may be suitable for certain applications. It does not constitute an offer to sell or a commitment of present or future availability, and should not be relied upon to state the terms and conditions, including warranties and disclaimers thereof, on which Emerson Network Power may sell products. A prospective buyer should exercise its own independent judgment to confirm the suitability of the products for particular applications. Emerson Network Power reserves the right to make changes, without notice, to any products or information herein which will, in its sole discretion, improve reliability, function, or design. Emerson Network Power does not assume any liability arising out of the application or use of any product or circuit described herein; neither does it convey any license under its patent or other intellectual property rights or under others. This disclaimer extends to any prospective buyer, and it includes Emerson Network Power's licensee, licensee's transferees, and licensee's customers and users. Availability of some of the products and services described herein may be restricted in some locations.

Emerson Network Power.
The global leader in enabling
Business-Critical Continuity™.

- AC Power Systems
- Embedded Power
- Precision Cooling
- Connectivity
- Integrated Cabinet Solutions
- Services
- DC Power Systems
- Outside Plant
- Site Monitoring
- **Embedded Computing**
- Power Switching & Control
- Surge & Signal Protection

Emerson Network Power

Offices: Tempe, AZ U.S.A. 1 800 759 1107 or +1 602 438 5720 • Madison, WI U.S.A. 1 800 356 9602 or +1 608 831 5500
Shanghai, China +86 21 5292 5693 • Paris, France +33 1 69 35 77 00 • Tokyo, Japan +81 3 5424 3101
Munich, Germany +49 (0) 89 9 608 2 333 • Hong Kong, China +852 2966 3210 • Tel Aviv, Israel +972 3 568 4387

www.EmersonNetworkPower.com/EmbeddedComputing

Business-Critical Continuity, Emerson Network Power and the Emerson Network Power logo are trademarks and service marks of Emerson Electric Co.
©2008 Emerson Electric Co.