

PrAMC-6201

Full Size Advanced Mezzanine Card

■ Embedded Computing for
Business-Critical Continuity™

PRELIMINARY DATA SHEET

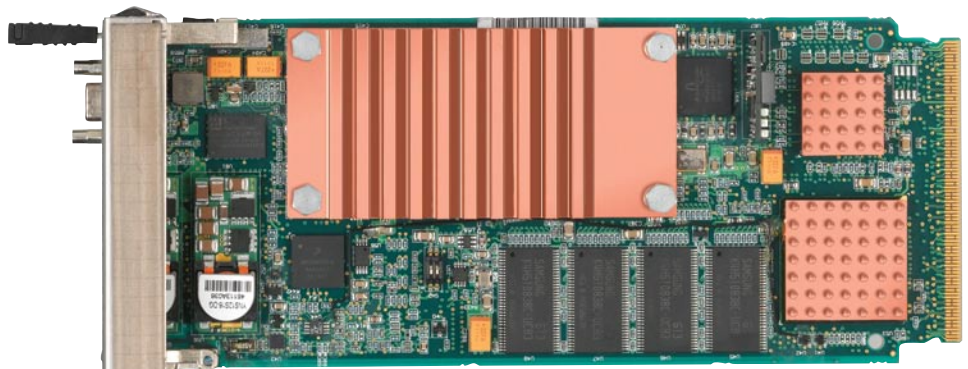
The PrAMC-6201 is an ideal solution for applications requiring high availability, scalability, manageability, and low cost

- PowerPC MPC7448 processor running up to 1.4 GHz core frequency and 1MB L2 cache
- MV64460 Marvell Discovery III system controller
- 167 MHz MPX bus
- Memory configurations possible up to 2GB with ECC support
- 256MB user flash and up to 16MB boot flash with redundant boot banks for failover
- MontaVista CGL 4.0 and Wind River PNE/LE Linux operating environment
- AMC.1 PCI Express: One x4 PCI Express link routed to AMC fabric ports 4-7
- AMC.2 Gigabit Ethernet: Two SerDes links 0 & 1 on AMC fabric port 0 & 1 respectively
- AMC.3 SATA: Two SATA links 0 & 1 on AMC fabric port 2 & 3 respectively
- Atmel ATmega-128 based module management controller (MMC) implementing IPMI v1.5

The Emerson Network Power PrAMC-6201 is designed to the AdvancedMC™ (AMC) specifications, making it usable in both AdvancedTCA® carriers as well as MicroTCA™ based applications. The PrAMC-6201 is a perfect fit for applications looking for control plane processing, and other processor intensive applications that needs faster data transfers based on Gigabit Ethernet or PCI Express interfaces with low power requirements.

The PrAMC-6201 can scale up to 1.4 GHz CPU speeds with varying memory sizes up to 2GB, allowing for software reuse by application developers. The PrAMC-6201 can augment already deployed systems with more processing power required to support new feature development, and easy migration path based on PCI Express interface. IPMI based management and hot-swap feature allows for module replacement or field upgrades, reducing the system down time to almost zero.

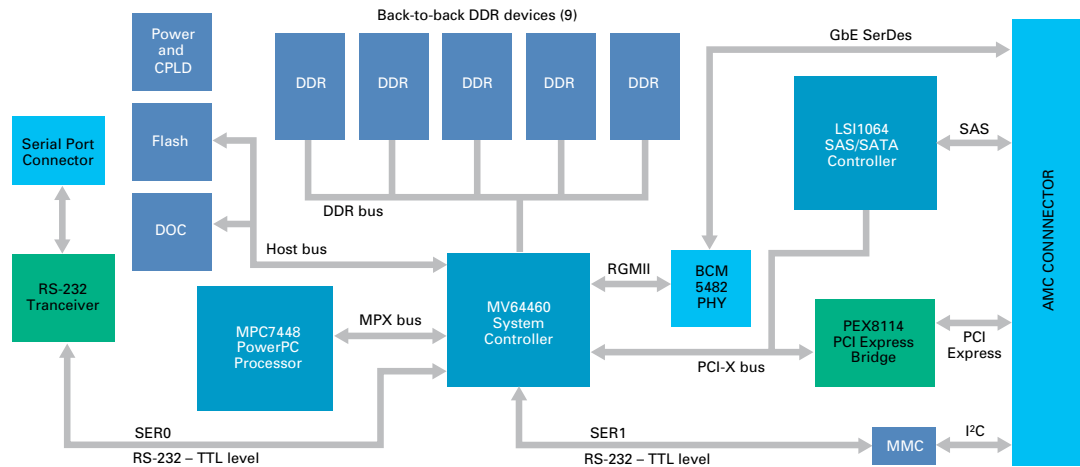
Carrier Grade Linux brings forth the high availability features required for telecom applications.



AdvancedMC™


EMERSON™
Network Power

PrAMC-6201 Block Diagram



Specifications

BOARD SPECIFICATIONS

- Full Size AMC
- PowerPC 7448 processor running at 1.4GHz core frequency

SOFTWARE

- Linux:
 - ▲ MontaVista CGE 4.0
 - ▲ Wind River GPP/LE, PNE/LE
- Basic Blade Services

SOLUTION SERVICES

Emerson Network Power provides a portfolio of solution services optimized to meet your needs throughout the product lifecycle. Design services help speed time-to-market. Deployment services include global 24x7 technical support. Renewal services enable product longevity and technology refresh. Plus solution extras include enhanced warranty and repairs.

PowerPC is a trademark of IBM Corp. and used under license. All other product or service names are the property of their respective owners.

This document identifies products, their specifications, and their characteristics, which may be suitable for certain applications. It does not constitute an offer to sell or a commitment of present or future availability, and should not be relied upon to state the terms and conditions, including warranties and disclaimers thereof, on which Emerson Network Power may sell products. A prospective buyer should exercise its own independent judgment to confirm the suitability of the products for particular applications. Emerson Network Power reserves the right to make changes, without notice, to any products or information herein which will, in its sole discretion, improve reliability, function, or design. Emerson Network Power does not assume any liability arising out of the application or use of any product or circuit described herein; neither does it convey any license under its patent or other intellectual property rights or under others. This disclaimer extends to any prospective buyer, and it includes Emerson Network Power's licensee, licensee's transferees, and licensee's customers and users. Availability of some of the products and services described herein may be restricted in some locations.

Emerson Network Power.
The global leader in enabling Business-Critical Continuity™.

- | | | |
|----------------------|--------------------------------|-----------------------------|
| ■ AC Power Systems | ■ Embedded Power | ■ Precision Cooling |
| ■ Connectivity | ■ Integrated Cabinet Solutions | ■ Services |
| ■ DC Power Systems | ■ Outside Plant | ■ Site Monitoring |
| ■ Embedded Computing | ■ Power Switching & Control | ■ Surge & Signal Protection |

Emerson Network Power

Offices: Tempe, AZ U.S.A. 1 800 759 1107 or +1 602 438 5720 • Madison, WI U.S.A. 1 800 356 9602 or +1 608 831 5500
Shanghai, China +86 21 5292 5693 • Paris, France +33 1 69 35 77 00 • Tokyo, Japan +81 3 5424 3101
Munich, Germany +49 (0) 89 9 608 2 333 • Hong Kong, China +852 2966 3210 • Tel Aviv, Israel +972 3 568 4387

www.EmersonNetworkPower.com/EmbeddedComputing

Business-Critical Continuity, Emerson Network Power and the Emerson Network Power logo are trademarks and service marks of Emerson Electric Co.
©2008 Emerson Electric Co.