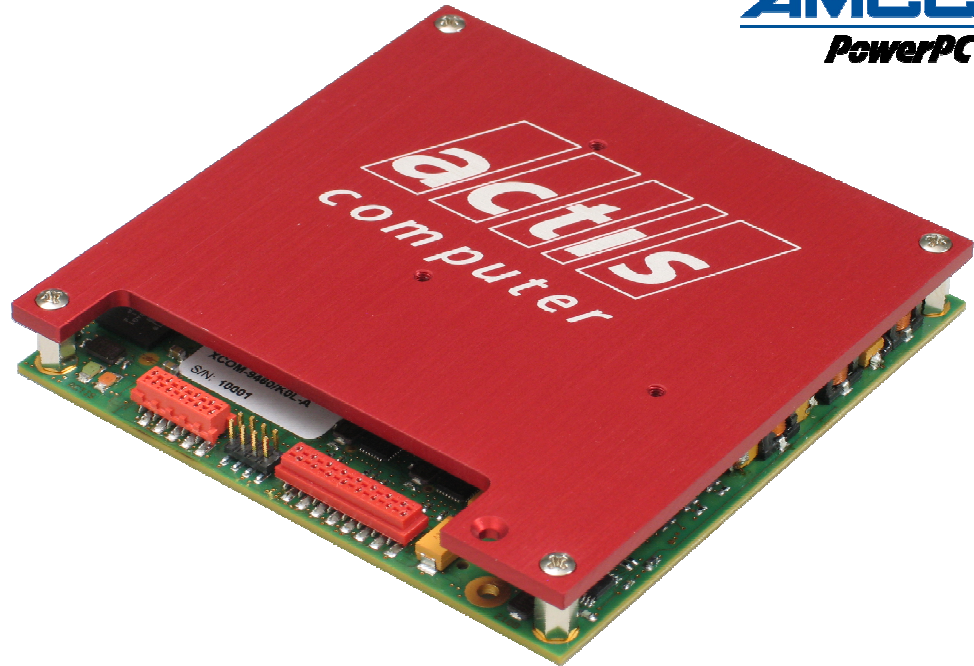


Features

- PowerPC PPC460EX up to 1 GHz
- COM Express type-III
- x4 PCIe interface
- 32-bit, 33/66MHz PCI
- Up to 2GB DDR2 SDRAM on SO-DIMM socket
- 1GB NAND Flash *
- 16MB Boot Flash
- 8kB NVRAM
- One S-ATA II ports
- 2D/3D graphic controller *
- Two Gigabit Ethernet ports
- Two USB 2.0 FS, HS, LS ports
- Eight TTL GPIOs
- Real Time Clock
- Watchdog
- Thermal sensor
- Extended temperature available

* **ordering option**



XCOM-9460 is a highly integrated solution specially designed to meet PICMG COM.0 standard requirements. It features a low-power high-performance PowerPC processor in COM Express Compact form factor, only 95x95 mm

Processor

The AMCC PPC460EX PowerPC processor integrates a 440 core, DDR2 memory controller, Gigabit Ethernet interfaces, PCIe and PCI buses, dual USB 2.0 Full-Speed port, a IEEE-754 Floating Point Unit and an integrated Security Engine. This processor is rated at 2000 DMIPS & 2000 MFLOPS @ 1 GHz.

Security Engine

The on-chip Security Engine (H/W Encryption) is designed to off-load computationally intensive security functions, such as key generation and exchange, authentication and bulk encryption from the processor core.

Network and serial ports

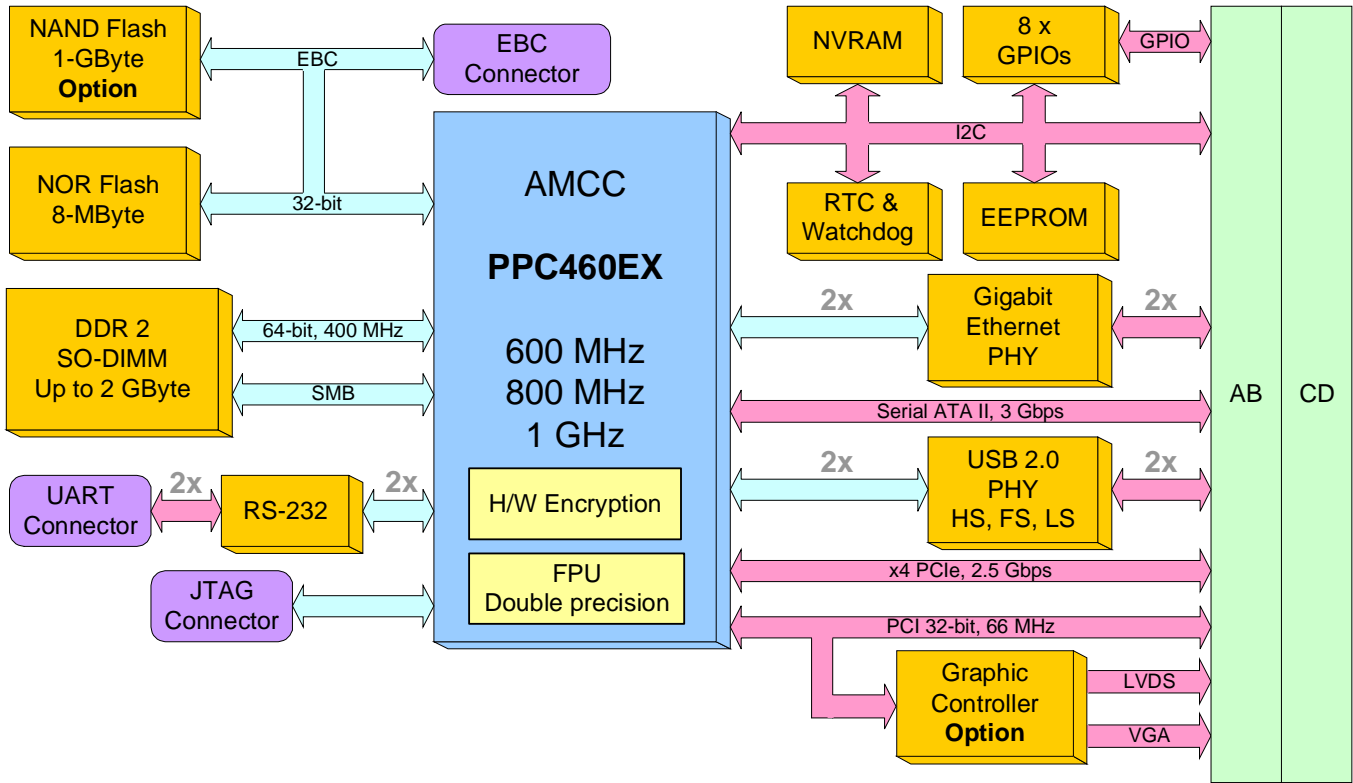
The XCOM-9460 offers a variety of on-board I/O: two Gigabit Ethernet ports (with TCP/IP acceleration hardware, QoS and Jumbo frames support), two USB 2.0 Full-Speed (480 Mbps), two I2C bus, and user General-purpose I/Os. All these ports are accessible on standard COM Express connectors.

Graphic Interface

Optional on-board graphic controller provides a GUI (Graphical User Interface) for embedded applications. It supports 8 MByte of memory and uses 200 MHz RAMDAC, with a resolution up to 1280x1024. The 128-bit engine supports 2D and 3D acceleration through APIs.

Software

Developers can take advantage of the XCOM-9460's power and performance when running major real-time operating systems (RTOS) or when deploying applications based on the low-cost, open-source Linux™ operating system.



Processor

- AMCC PPC460EX 600, 800 MHz or 1GHz
- 256-kByte L2 cache
- Security Engine

Memory

- up to 2 GByte DDR2 SDRAM on SO-DIMM socket
- 1 GByte NAND Flash *
- 8 MByte Boot Flash
- 8 kByte NVRAM
- 8 kbit serial EEPROM

Communication ports

- 2 Gigabit Ethernet ports
- 2 USB 2.0 Full-Speed
- 2 I2C bus
- 8 User GPIOs
- 2 RS-232 UARTs
- 1 JTAG debug interface

ACTIS Computer SA

19 ch. du Champ-des-Filles
CH - 1228 Plan-Les-Ouates, Switzerland
Tel: +41 (22) 706 1830
Fax: +41 (22) 794 4391

Graphic controller **/

- 2D/3D rendering engine
- XGA resolution 1280x1024
- 200 MHz RAMDAC
- 8 MB on chip memory
- 24-bit LVDS
- 18-bit LCD
- Analog RGB

Peripherals

- 1 S-ATA ports
- 1 Real Time Clock
- 1 Watchdog
- 1 Thermal sensor
- 1 EBC connector

PCI & PCIe Interface

- x4 PCI Express (PCIe)
- PCI 32-bit, 33/66 MHz

Environmental

Commercial	0 to +55°C
Extended	-40 to +85°C
Relative Humidity	0 to 95 % (non-cond.)
Altitude	0 to 3,000 m

Power Requirements

+12V	TBD
+3.3V standby	TBD

Mechanical

Dimension	95 x 95 mm
Vibration	0.5 G, RMS 20-2000 Hz random
Shock	12 G, 11 ms ½ sine

* ordering option

** Not available in extended temperature grade

Distributed by:

For ordering information, please visit our web site at www.actis-computer.com