

Features

- Based on AMCC PPC460EX PowerPC processor
- Up to 2 GByte DDR2
- Up to 1 GByte NAND
- Graphic controller (RGB, S-video, LVDS)
- Two Gigabit Ethernet
- Two USB 2.0 ports
- One Serial-ATA
- Two PMC slots
- 12 VDC power supply
- Extended temperature available
- RoHS compliant



AMCC
PowerPC™

XBOX-9460 is a highly integrated computer box solution, measuring 165x160x52 mm (6.5x6.2x2 in), based on the PICMG COM Express processor module standard. It features a complete computer system with its complete set of peripheral I/Os ready to use for embedded applications.

Processor Mezzanine Support

The XBOX-9460 uses the ACTIS XCOM-9460 COM Express module based on an AMCC PPC460EX PowerPC processor.

Graphics Support

The XBOX-9460 embedded a 2D/3D graphic controller with the dual view mode support and resolution up to 1280x1024. The available video outputs are analog RGB, S-Video and LVDS.

Peripheral Interfaces

The XBOX-9460 platform provides a standard set of peripherals including a dual Gigabit Ethernet controller, one internal Serial-ATA interface, and two USB2.0 ports.

PMC extensions

Two additional PMC mezzanine slots are user free available for system add-ons, like acquisition system, motor control, communication server, etc. The PMC modules are supplied by ACTIS Computer or third-party vendors.

Power Supply

A single 12 VDC power supply is required for the XBOX-9460 operating mode. Internal DC/DC converters are used for each specific low voltages used by the sub-systems.

Aluminium case

The low power dissipation design enables a compact and fan less enclosure solution, intended for embedded and mobile application. Its extruded aluminium case offers an optimum protection against harsh environment. An optional panel mounting kit is available.

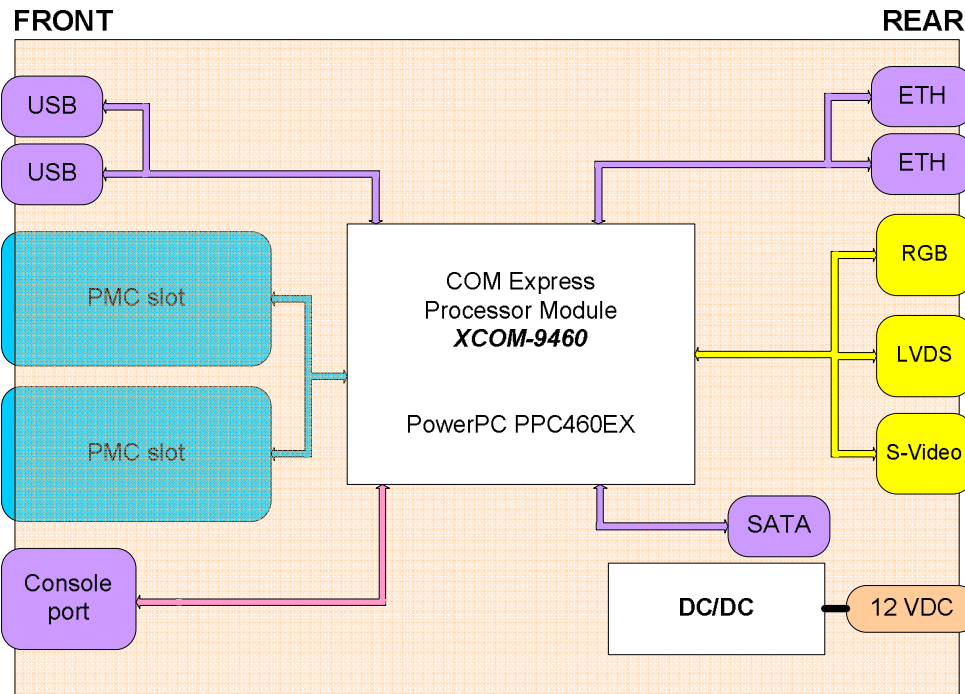
Software

Developers can take advantage of the XBOX-9460 features and performance when running the Linux BSP, which include the complete development tools chain.

COM 
Express



Bloc Diagram



Characteristics

COM Express support

- Based on XCOM-9460 module
- Compact form factor
- Type-III module version

Processor unit

- AMCC PPC460EX @ 400 MHz
- Up to 2 GByte DDR2 memory
- Up to 1 GByte NAND Flash *
- 8 MByte NOR Flash

Communication ports

- 2 Gigabit Ethernet ports
- 2 USB 2.0 Full-Speed **
- 1 RS-232 UARTs

Graphic controller

- 2D/3D rendering engine
- Dual view mode supported
- XGA resolution 1280x1024
- Analog RGB interface
- S-Video interface
- 24-bit LVDS interface

Peripherals

- 1 Serial-ATA port
- 1 Real Time Clock
- 1 Watchdog
- 1 Thermal sensor

PMC extension slots

- Two slots
- 32-bit, 33/66 MHz
- 3.3V environment

Environmental

Commercial	0 to +55°C
Extended	-40 to +70°C
Relative Humidity	0 to 95 % (non-cond.)
Altitude	0 to 3,000 m

Power Requirements

+12V	TBD
------	-----

Mechanical

Dimension	165x160x52 mm 6.5x6.2x2 in
Vibration	TBD
Shock	TBD

ACTIS Computer SA
 19 ch. du Champ-des-Filles
 CH - 1228 Plan-Les-Ouates, Switzerland
 Tel: +41 (22) 706 1830
 Fax: +41 (22) 794 4391

ACTIS Computer Inc
 1898 E. Southern Avenue
 Tempe, Arizona 85282, USA
 Tel: (480) 838 1799
 Fax: (480) 838 4477

Distributed by:

For ordering information, please visit our web site at www.actis-computer.com