

Features

- Based on PowerPC processor MPC8347E
- Up to 2 GByte DDR2
- Up to 1 GByte NAND
- Graphic controller (RGB, S-video, LVDS)
- Two Gigabit Ethernet
- Two USB 2.0 ports
- One internal SATA, one eSATA
- Two PMC slots
- 12 VDC power supply
- RoHS compliant



XBOX-9347 is a highly integrated computer box solution, measuring 165x160x52 mm (6.5x6.2x2 in), based on the PICMG COM Express processor module standard. It features a complete computer system with its complete set of peripheral I/Os ready to use for embedded applications.

Processor Mezzanine Support

The XBOX-9347 uses the ACTIS XCOM-9347 COM Express module based on a PowerPC processor.

Graphics Support

The XBOX-9347 embedded one 2D/3D graphic controller with the dual view mode support and a maximum resolution of 1280x1024. The available video outputs are analog RGB, S-Video and LVDS.

Peripheral Interfaces

The XBOX-9347 platform provides a standard set of peripherals including a dual Gigabit Ethernet controller, one internal SATA and one eSATA storage interfaces, and two USB2.0 ports.

PMC extensions

Two additional PMC mezzanine slots are user free available for system add-ons, like acquisition system, motor, communication controller, etc. The PMC modules are supplied by ACTIS Computer or third parties.

Power Supply

A single 12 V DC power supply is required for the XBOX-9347 operating mode. Internal DC/DC converters are used for each specific low voltages used by the sub-systems.

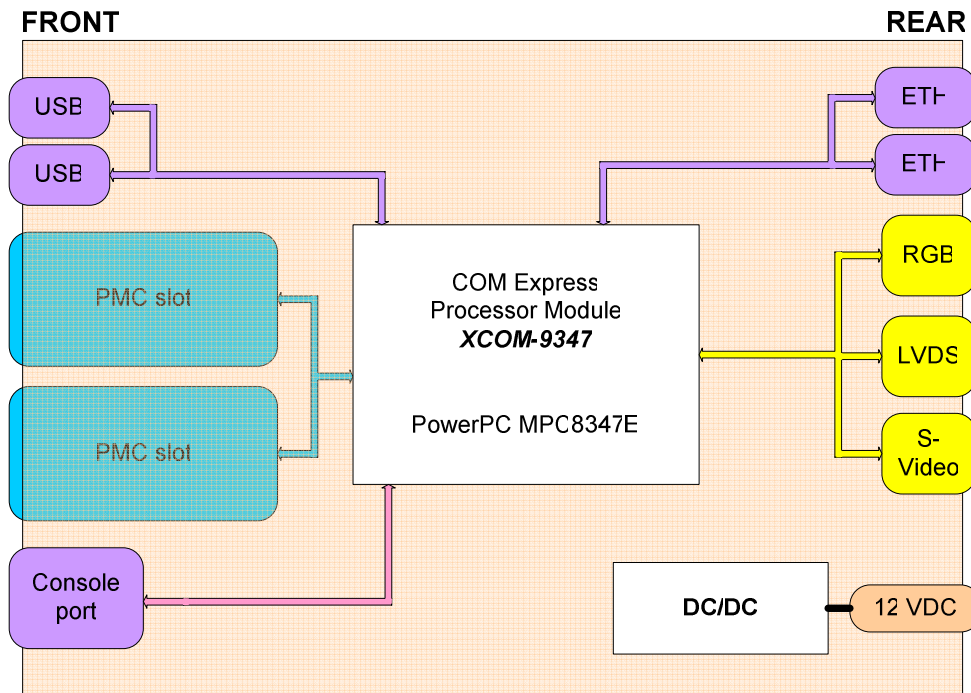
Aluminium case

The low power dissipation design enables a compact and fan less enclosure solution, intended for embedded and mobile application. Its extruded aluminium case offers an optimum protection against harsh environment. An optional panel mounting kit is available.

Software

Developers can take advantage of the XBOX-9347 features and performance when running the Linux BSP, which include the complete development tools chain.

Bloc Diagram



Characteristics

COM Express support

- Based on XCOM-9347
- Compact form factor
- Type-III module version

Processor unit

- Freescale PowerPC MPC8347E @ 400 MHz
- Up to 2 GByte DDR2 memory
- Up to 1 GByte NAND Flash *
- 8 MByte NOR Flash

Communication ports

- 2 Gigabit Ethernet ports
- 2 USB 2.0 Full-Speed **
- 1 RS-232 UARTs

Graphic controller

- 2D/3D rendering engine
- Dual view mode supported
- XGA resolution 1280x1024
- Analog RGB interface
- S-Video interface
- 24-bit LVDS interface

Peripherals

- 2 S-ATA ports
- 1 Real Time Clock
- 1 Watchdog
- 1 Temperature sensor

PMC extension slots

- Two slots
- 32-bit, 33/66 MHz
- 3.3V environment

Environmental

Commercial	0 to +55°C
Extended	-40 to +70°C
Relative Humidity	0 to 95 % (non-cond.)
Altitude	0 to 3,000 m

Power Requirements

+12V	TBD
------	-----

Mechanical

Dimension	165x160x52 mm 6.5x6.2x2 in
Vibration	TBD
Shock	TBD
MTBF	TBD

ACTIS Computer SA

19 ch. du Champ-des-Filles
CH - 1228 Plan-Les-Ouates, Switzerland
Tel: +41 (22) 706 1830
Fax: +41 (22) 794 4391

ACTIS Computer Inc

6202 South Maple Ave, Suite 120
Tempe, Arizona 85283, USA
Tel: (480) 838 1799
Fax: (480) 838 4477

Distributed by:

For ordering information, please visit our web site at www.actis-computer.com

All products mentioned may be trademarks or registered trademarks of their respective holders. ACTIS Computer believes this information is accurate as of its publication date and is not responsible for any inadvertent errors. The information contained herein is subject to change without notice.
Copyright © 2008 ACTIS Computer.