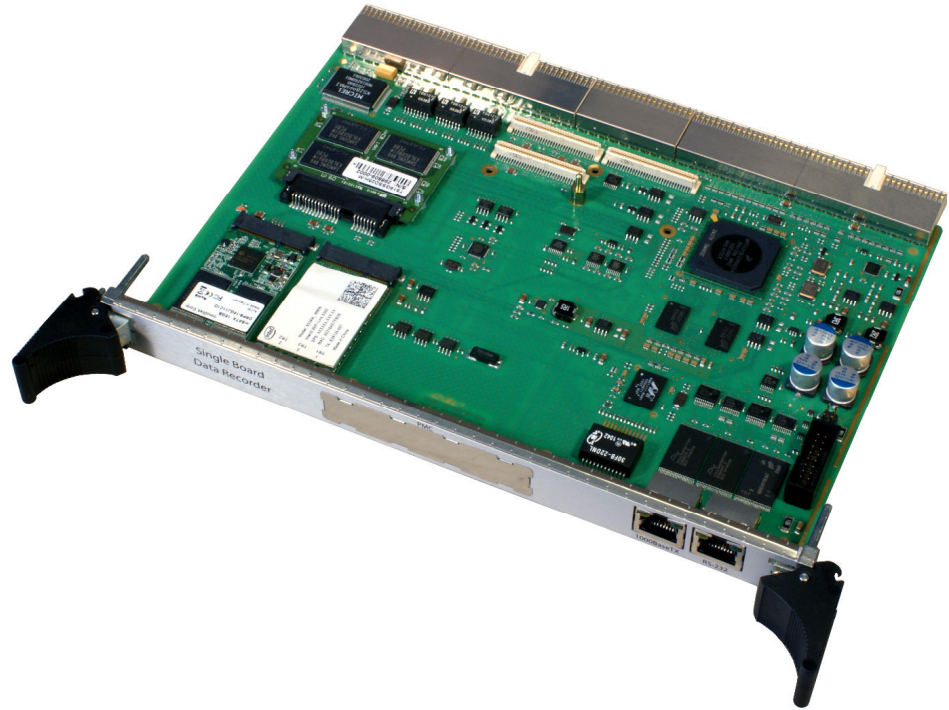


Features

- 6U CompactPCI system-slot SBC
- Based on PowerPC e300v3 core architecture
- DDR2 memory support
- Boot capable NOR Flash devices
- NAND Flash devices
- Solid State Disk (SSD) interface
- One Gigabit Ethernet port
- 3-port Fast Ethernet manageable switch
- 3-port USB 2.0 hub
- One 32-bit PMC Slot
- One Mini PCI Express card slot
- Watchdog
- Temperature sensor
- Supplied with U-Boot bootloader



SBDR-6315 Single Board Computer offers a unique platform for embedded applications requiring a flexible architecture for data acquisition and monitoring with a large non volatile storage capabilities.

As based on the CompactPCI PICMG 2.0 R3.0 specification, the SBDR-6315 can be combined with a large choice of peripheral and acquisition board and building a complex acquisition system for applications including data recorder, monitoring system, Communication monitor, standalone Computer for security access control, etc.

Processor

Based on PowerPC architecture, the SBDR-6315 features an enhanced e300c3 core and advanced features such as DDR2 memory controller, dual Gigabit Ethernet controller, PCI Express and PCI legacy interfaces, IEEE-754 compliant FPU, and integrated Security Engine. On-chip USB2.0 and SATA2.5 controller are available for peripheral and storage devices.

Communication and peripheral

The SBDR-6315 supports one Gigabit Ethernet port, a 3-port Managed Fast Ethernet switch, and a 3-port USB2.0 hub.

Solid State Disk (SSD)

The SBDR-6315 introduces a SATA2.5 based on SSD interface supporting mSATA industry standards form factor defined by Jedec and SATA-IO organizations.

Mezzanine extension slots

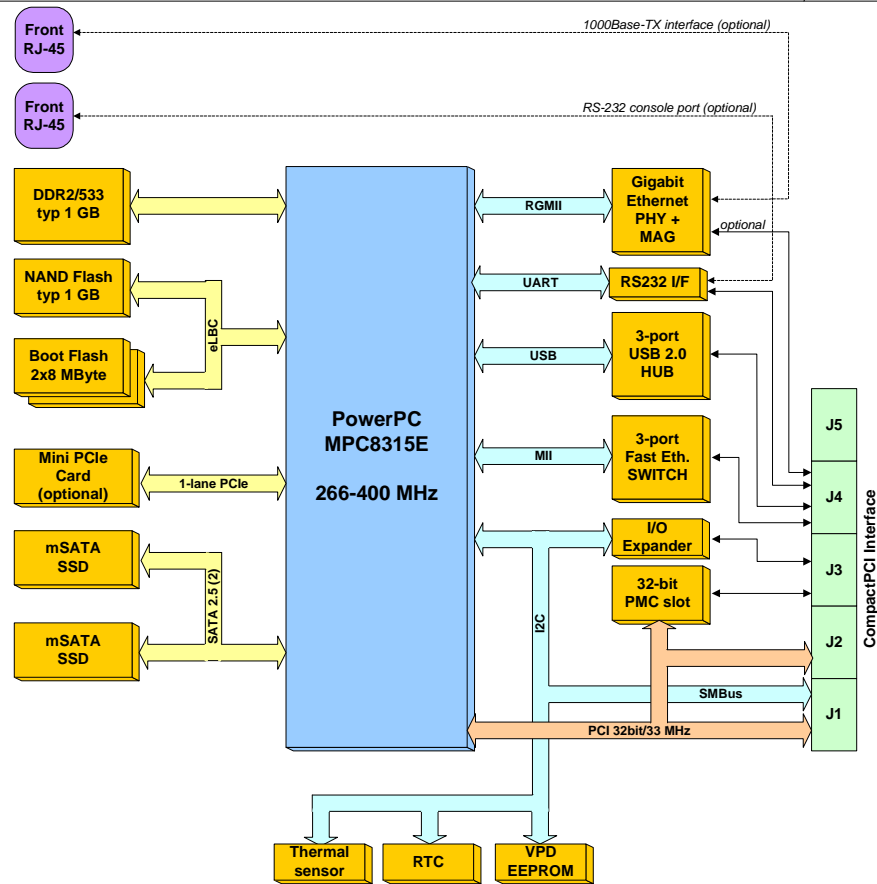
As a flexible platform, the SBDR-6315 has two mezzanine extensions based on both IEEE 1386.1-2001 PMC and PCI-SIG mini PCI Express card specifications.

Enhanced power management

The MPC8315E supports a range of power management states that significantly lower power consumption under the control of the power management controller.

Software

Developers can take advantage of the SBDR-6315's power and performance when running major real-time operating systems (RTOS) or when deploying applications based on the low-cost, open-source Linux™ operating system. RTOS supported by the SBDR-6315 include VxWorks® and others on request.



Local Processor

- PowerPC e300c3 core
- IEEE754 Floating point unit
- Security Engine

Memory

- DDR2/533 memory
- Boot capable NOR Flash device
- NAND Flash device for large storage

Communication ports

- 1 Gigabit Ethernet port
- 3-port Fast Ethernet manageable switch
- 3-port USB2.0 Hub
- 2 RS-232 serial ports
- 1 I2C bus

ACTIS Computer SA

42 Route de Satigny
CH – 1217 Meyrin, Switzerland
Tel: +41 (22) 706 1830
Fax: +41 (22) 794 4391

Peripheral interfaces

- 8-bit general purpose I/O controller
- 1 Thermal sensor

Solid State Disk (SSD)

- One mSATA slot

Extension mezzanine

- 1 IEEE1386.1-2001 PMC slot
- 1 PCI-SIG mini PCI Express card slot

CompactPCI Interface

- PICMG 2.0 R3.0 compliant
- 32-bit, 33MHz
- 3.3V environment
- System-slot mode

Environmental

Commercial 0 to +55°C
Relative Humidity 0 to 90 %
(non-cond.)
Altitude 0 to 50,000 ft

Power Requirements

+3.3V 900 mA typ

Mechanical

Dimension 233.35 x 160 mm
Vibration 3G RMS, 2-35 Hz
random
Shock 15G, 11 ms, ½ sine
MTBF 232'016 hours

Distributed by:

For ordering information, please visit our web site at www.actis-computer.com

All products mentioned may be trademarks or registered trademarks of their respective holders. ACTIS Computer believes this information is accurate as of its publication date and is not responsible for any inadvertent errors. The information contained herein is subject to change without notice.
Copyright © 2011 ACTIS Computer.