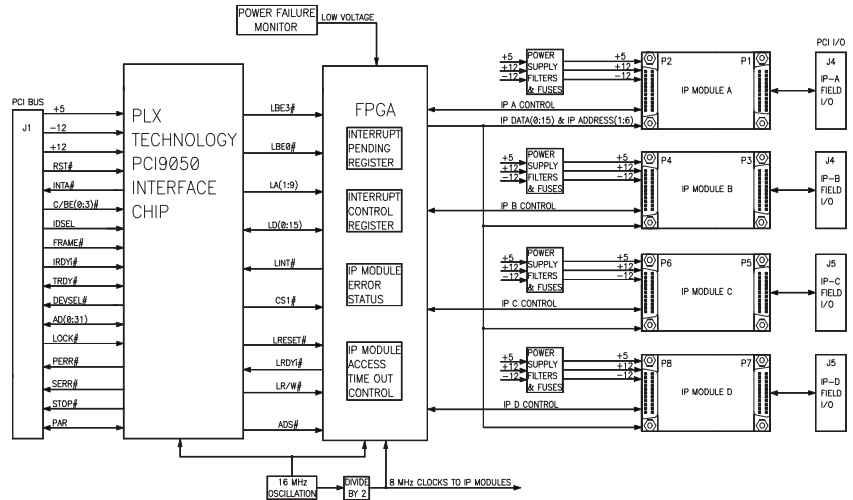
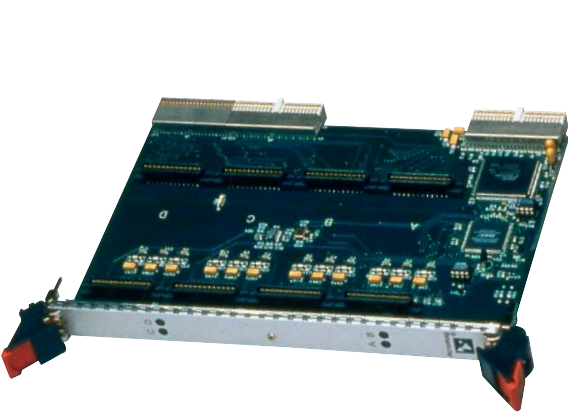


Industry Pack Carrier Cards

AcPC8625A CompactPCI Carrier Cards for Industry Pack Modules

24 HR STOCK ITEM
7 YEAR WARRANTY



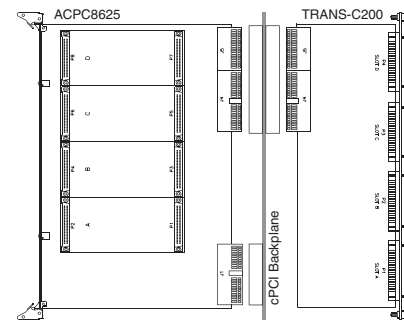
Four Industry Pack mezzanine module slots ♦ Non-Intelligent carrier card ♦ CompactPCI bus interface

Description

The AcPC8625A is a non-intelligent slave board that interfaces four IP modules to the CompactPCI (cPCI) bus. All 200 I/O points are brought out the rear J4 and J5 connectors. This convenience eliminates messy cables from hanging out the front of the cage. In addition to a more efficient cage wiring design, it is also much easier to insert and replace boards. And with Acromag's 80mm transition module (TRANS-C200), all 200 I/O points are easily ported out the back of the cage.

Key Features & Benefits

- Four industry-standard IP module slots
- Board resides in memory space
- Supports 8 and 32MHz operation
- Supports IP module I/O, ID, INT, and MEM spaces
- 200 I/O points with rear access
- High-density rear connectors
- Compatible with all CompactPCI CPUs
- Plug-and-play carrier configuration and interrupt support
- Two interrupts per IP module
- Front panel LEDs
- Supervisory circuit for reset generation
- Individually filtered and fused power to each IP
- Ruggedized with ESD strip and EMC front panel
- Easily integrate IPs with your software using RTOS VxWorks, Linux, or Win DLL for Windows® 2000/XP/Vista/7 32-bit systems.
- Clean system cabling.
- Easy board replacement.
- Simplified debugging with status LEDs.



Acromag 
THE LEADER IN INDUSTRIAL I/O

Tel 248-295-0310 ■ Fax 248-624-9234 ■ solutions@acromag.com ■ www.acromag.com ■ 30765 Wixom Rd, Wixom, MI 48393 USA

Industry Pack Carrier Cards

AcPC8625A CompactPCI Carrier Cards for Industry Pack Modules

Performance Specifications

General

Acromag's carrier boards provide full data access to the IP module's I/O, ID, interrupt spaces, and memory. With full access to the programmable registers, you can easily configure and control the operation of the IP modules from the CompactPCI bus.

Up to two interrupt requests are supported for each IP module. All board interrupts are mapped to PCI bus INTA# signal.

Individual passive filters on each IP power supply line provide optimum filtering and noise isolation between the IP modules and the carrier board.

IP Compliance (ANSI/VITA 4)

Meets IP specs per ANSI/VITA 4-1995 (8MHz and 32MHz) and IP I/O mapping to PICMG 2.4 R1.0.

Electrical/mechanical interface

Supports single or double size IP modules.

32-bit IP modules are not supported.

IP Module I/O space, ID space, INT space, and MEM space supported.

Interrupts

Supports two interrupt requests per IP module and interrupt acknowledge cycles via access to IP INT space.

CompactPCI bus Compliance

Meets PCI spec. V2.1 and PICMG 2.0, R2.1.

Data transfer bus

Slave with 32-bit, 16-bit, and 8-bit data transfer operation 32-bit read/write accesses are implemented as two 16-bit transfers to the IPs.

Interrupts

CompactPCI bus INTA# interrupt signal. Up to two requests sourced from each IP mapped to INTA#. Interrupt vectors come from IP modules via access to IP module INT space.

Plug-and-Play

The system maps the base address into the PCI bus 32-bit memory space.

Power Requirements

Power
+3.3V ($\pm 5\%$): 300mA maximum.
+5V ($\pm 5\%$): 30mA maximum.
 $\pm 12V$ ($\pm 5\%$): 0mA (not used).
Plus IP module load.

MTBF

Contact factory

Environmental

Operating temperature

-25 to 85°C (AcPC8625)
or -40 to 85°C (AcPC8625E models).

Storage temperature

-25 to 85°C (AcPC8625)
or -40 to 85°C (AcPC8625E models).

Relative humidity

5 to 95% non-condensing.

Ordering Information

Carrier Cards

AcPC8625A

CompactPCI carrier. Holds four IP modules.

AcPC8625AE

Same as AcPC8625A plus extended temp. range.

Accessories

5028-438

Cable, SCSI-2 to SCSI-2, shielded.

5028-378

Termination panel, SCSI-2 connector, 50 screw terminals.

TRANS-C200

Transition module

See www.acromag.com for more information.

Software Development Tools

IPSW-API-VXW

VxWorks® software support package

IPSW-API-WIN32

32-bit Windows® DDL driver and demo software

IPSW-API-WIN64

64-bit Windows® DDL driver and demo software

IPSW-API-LINUX

Linux™ support (website download only)

See www.acromag.com for more information.

