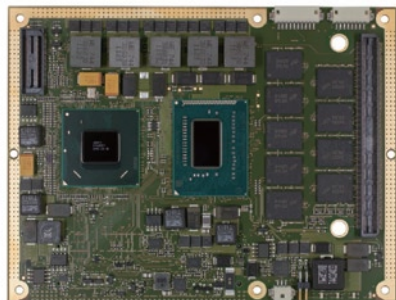


NEW



Features

- 3rd Generation Intel® Core™ i7 Platform
- 16 GB DDR3 ECC RAM maximum. Supports ruggedized XR-DIMM™ modules.
- Three Digital Display Interfaces, LVDS, VGA
- 1x Gigabit Ethernet with AMT 8.0
- 4x USB 3.0 / 2.0 host ports, 4x USB 2.0 host ports
- 2x SATA 3 Gb/s, 2x SATA 6 Gb/s. RAID 0, 1, 5, 10
- Trusted Platform Module (TPM)
- Supports Smart Embedded Management Agent (SEMA) functions

Specifications

Core System

Chipset	Mobile Intel® QM77 Express
Processor	Intel® Core™ i7 3555LE (2.5/3.2 GHz) Intel® Celeron® 807UE (1.0 GHz)
BIOS	AMI BIOS BIOS parameters are saved on flash
Memory	16 GB DDR3-1333 ECC RAM maximum - 8 GB soldered (Celeron: 4 GB) - 8 GB XR-DIMM™ module optional
Memory Clock	DDR3-1333/1066
Watchdog	Yes SEMA
Status LED	Power, power mode, SMC activity, watchdog
PCI Express Bus	7 x1 lanes (5.0 GT/s) 1 x16 lane or PEG (8.0 GT/s)
LPC Bus	Yes
SPI Bus	Yes
SMB Bus	Yes
I²C Bus	Yes
SEMA	Yes, for Condition Monitoring and housekeeping

TPM

Infinion SLB9635 TT 1.2

Video

Graphics	Intel® HD Graphics 2560 x 1920 pixels
VGA	Yes
LVDS	18/24-bit dual channel, up to 1600 x 1200 Interleave mode: 1900 x 1200

Audio

Intel® HD Audio, external codec required

Power

Power Supply	5 to 14 V only 25 to 55 watts
Power Consumption	Depends on processor type

Multi I/O and Storage

USB	4x USB 3.0/2.0 host ports
Ethernet	Gigabit Ethernet Integrated in chipset, with 82579 PHY
SATA	AMT 8.0 support 2x SATA 6 Gb/s 2x SATA 3 Gb/s Supports for RAID 0, 1, 5, 10

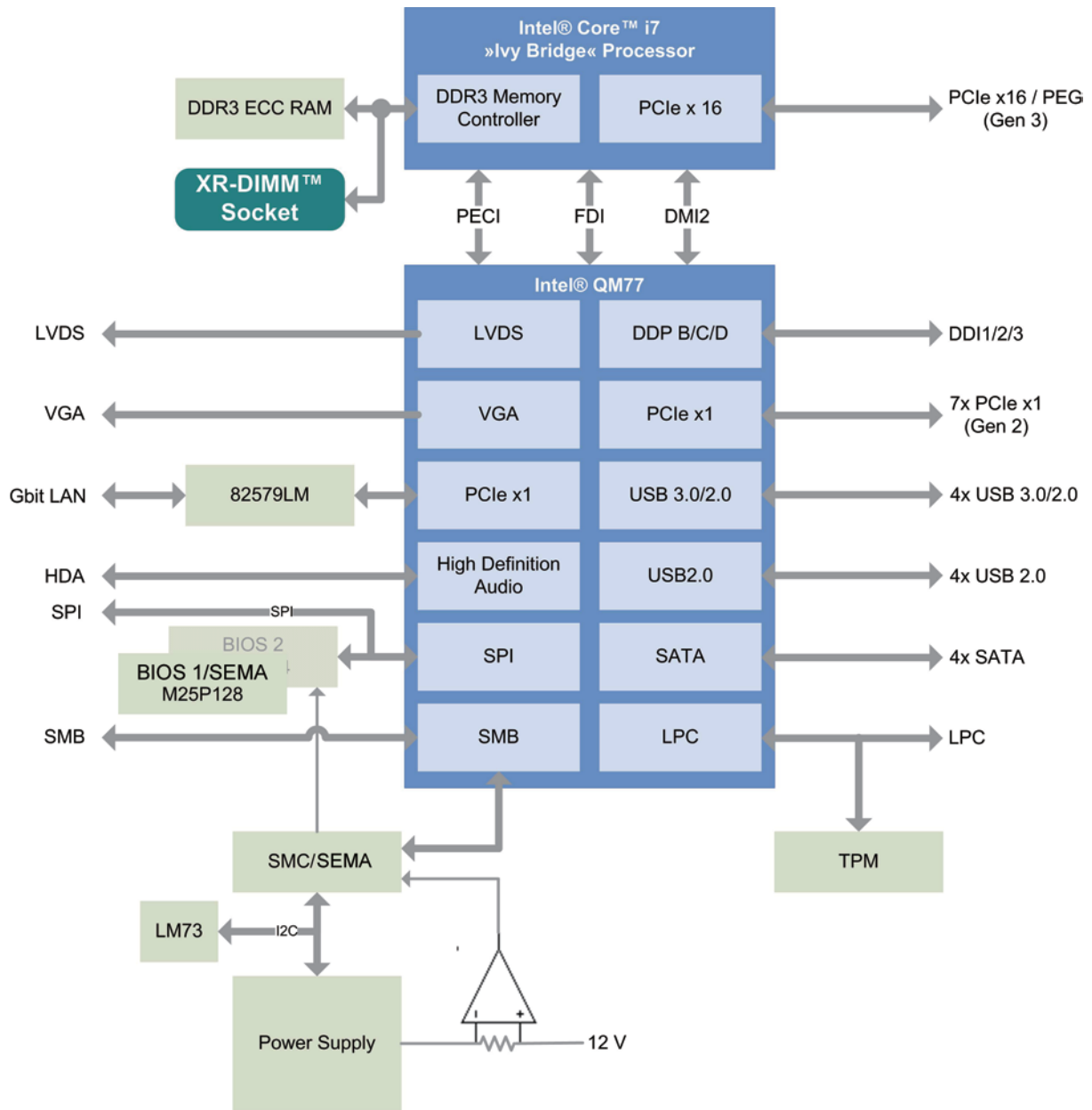
Mechanical and Environmental

Cooling	Active Heat spreader included
Operating Temperature	Standard: -20°C to +70°C Extended: -40°C to +85°C
MTBF	TBD, hours @ 25°C

Operating Systems

Standard Support	Windows, Linux
------------------	----------------

Functional Diagram



Ordering Information

Modules

Model Number	Description/Configuration
709-0023-10	COM Express (Type 6), Toucan-QM77, i7-3555LE (2.5/3.2GHz) Dual Core, 8GB ECC, incl. heat spreader
709-0025-10	COM Express (Type 6), Toucan-QM77, Celeron 807UE (1.0GHz) Single Core, 4GB ECC, incl. heat spreader
709-0026-10	COM Express (Type 6), Toucan-QM77, i7-3615QE (2.3/3.3GHz) Quad Core, 8GB ECC, incl. heat spreader
809-0023-10	COM Express (Type 6), Toucan-QM77, i7-3555LE (2.5/3.2GHz) Dual Core, 8GB ECC, incl. heat spreader
809-0025-10	COM Express (Type 6), Toucan-QM77, Celeron 807UE (1.0GHz) Single Core, 4GB ECC, incl. heat spreader

809-0026-10	COM Express (Type 6), Toucan-QM77, i7-3615QE (2.3/3.3GHz) Quad Core, 8GB ECC, incl. heat spreader
909-0023-10	COM Express (Type 6), Toucan-QM77, i7-3555LE (2.5/3.2GHz) Dual Core, 8GB ECC, incl. heat spreader
909-0025-10	COM Express (Type 6), Toucan-QM77, Celeron 807UE (1.0GHz) Single Core, 4GB ECC, incl. heat spreader
909-0026-10	COM Express (Type 6), Toucan-QM77, i7-3615QE (2.3/3.3GHz) Quad Core, 8GB ECC, incl. heat spreader