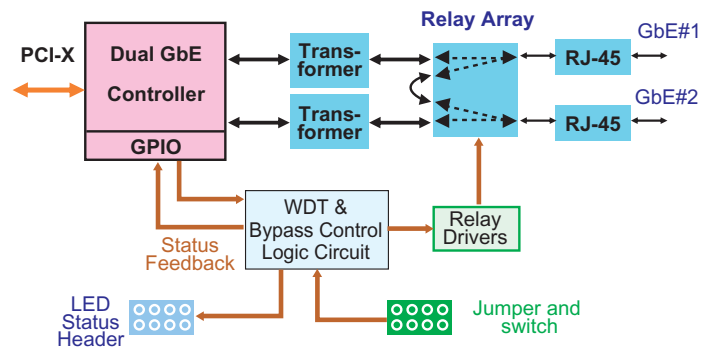


PCI-X Cards

PCI-8246

Dual GbE PCI-X card with Bypass Capability ⚡



PCI-8246 Block Diagram

The PCI-8246 is a dual Gigabit Ethernet (GbE: 10/100/1000) ports with bypass capability. The two GbE ports can be bypassed and crossover to each other whenever software halt or system power off. The bypass capability is a critical feature for network appliance applications.

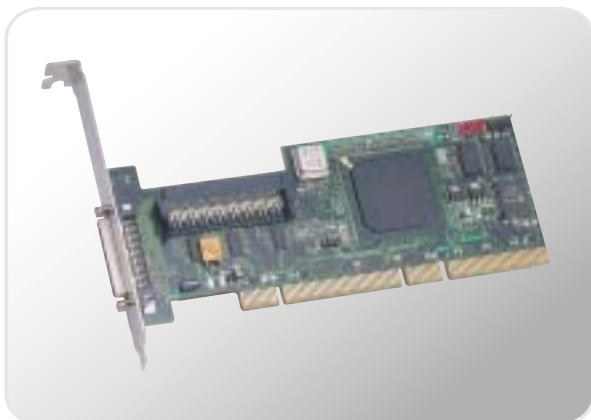
The watchdog timer and bypass control circuits are used for switching the physical routing of the GbE signals by mechanical relay array. Two on board headers are reserved for developers to connect the bypass control switches and status LED to any specific location in a system.

Features

- Dual Gigabit Ethernet Ports,
- 133Mhz 64-bit PCI-X Bus
- Bypass capability when system power-off or software halt
- Programmable bypass control, watchdog timer and status read-back
- Rear panel control switch designed for field service
- Low-profile bracket is available for OEM program

PCI-S320

PCI-X Ultra320 SCSI Host Adapter ⚡



Features

- Up to 320Mbytes/S SCSI Transfer Rate
- 133MHZ, 64-bit PCI/PCI-X 1.064GB/S transfer rate
- Built-in LSI Logic 53C1020 SCSI controller
- Supports up to 15 Ultra4/Ultra320 SCSI Devices
- External VHDC-68 and Internal HDC-68 Connectors
- Low profile bracket available upon request

1
6U cPCI Platform

2
6U cPCI SBC

3
3U cPCI / PXI Platform

4
3U cPCI / PXI SBC

5
Industrial Chassis

6
SBC & IMB

7
ETX & Modular SBC

8
GEME

9
IPC Accessories

10
I/O Cards