

**NEW**



### Features

- Intel® Atom™ N455 Power Optimized, 1.66GHz Processor
- Intel® Atom™ D525 Performance Optimized, Dual Core, 1.8GHz Processor
- Up to 2GB DDR3 667MHz Memory
- Onboard 10/100BASE-T Ethernet
- 4GB Solid State Storage
- Single Channel LVDS and VGA (1400 x 1050)

### Specifications

#### Core System

CPU – Intel® Atom™ N455, 1.66GHz, 6.5 W (1 core/2 threads)  
 – Intel® Atom™ D525, 1.8GHz, 13 W (2 cores/4 threads)  
 – Intel® Atom™ D425, 1.8GHz, 10 W (1 core/2 threads)

Cache – 1GB, 8-way L2 cache for D525 dual-core processor  
 – 512KB, 8-way L2 cache for N455/D425 single-core processor

DRAM – Up to 2GB Single Channel DDR3 667 SODIMM

Chipset – Intel® ICH8M Chipset

BIOS – AMI with CMOS backup in 8 Mbit SPI flash memory

Expansion Busses – 32-bit PCI at 33MHz, ISA, LPC, SMBus, I<sup>2</sup>C

#### Multi I/O and Storage

IDE – Single Channel IDE

SATA – Two devices

USB – Four USB 2.0 Ports

Storage: onboard SSD (4GB)

LPT/Floppy

Serial Ports - Two RS-232/422/485

PS/2 Keyboard and Mouse

Audio – ALC 262 High Definition Audio Codec

#### Ethernet

Intel® 82567V (10/100BASE-T) Ethernet Controller

#### Video

Intel® GMA 3150, DirectX 9 compliant Pixel Shader v2.0

Single Channel 18-bit LVDS (N450: 1280 x 800; D410, D510: 1366 x 768)

Analog VGA (N450: 1400 x 1050 @ 60Hz; D410, D510: 2048 x 1536 @ 60Hz)

#### Power

Input Power - AT mode (5V +/- 5%) and ATX mode

Power States - Supports S0, S3, S4, S5

#### Mechanical and Environmental

Size – ETX® form factor 114 mm x 95 mm

Board Thickness – 0.093” (2.36 mm)

Operating Temperature

- Standard: -20°C to +70°C
- Extended: -40°C to +85°C

Storage Temperature: -55°C to +85°C

Humidity – 90% at 60°C

Shock - Non-operating: 50G peak-to-peak, 11ms duration, MIL-STD-202G Method 213B

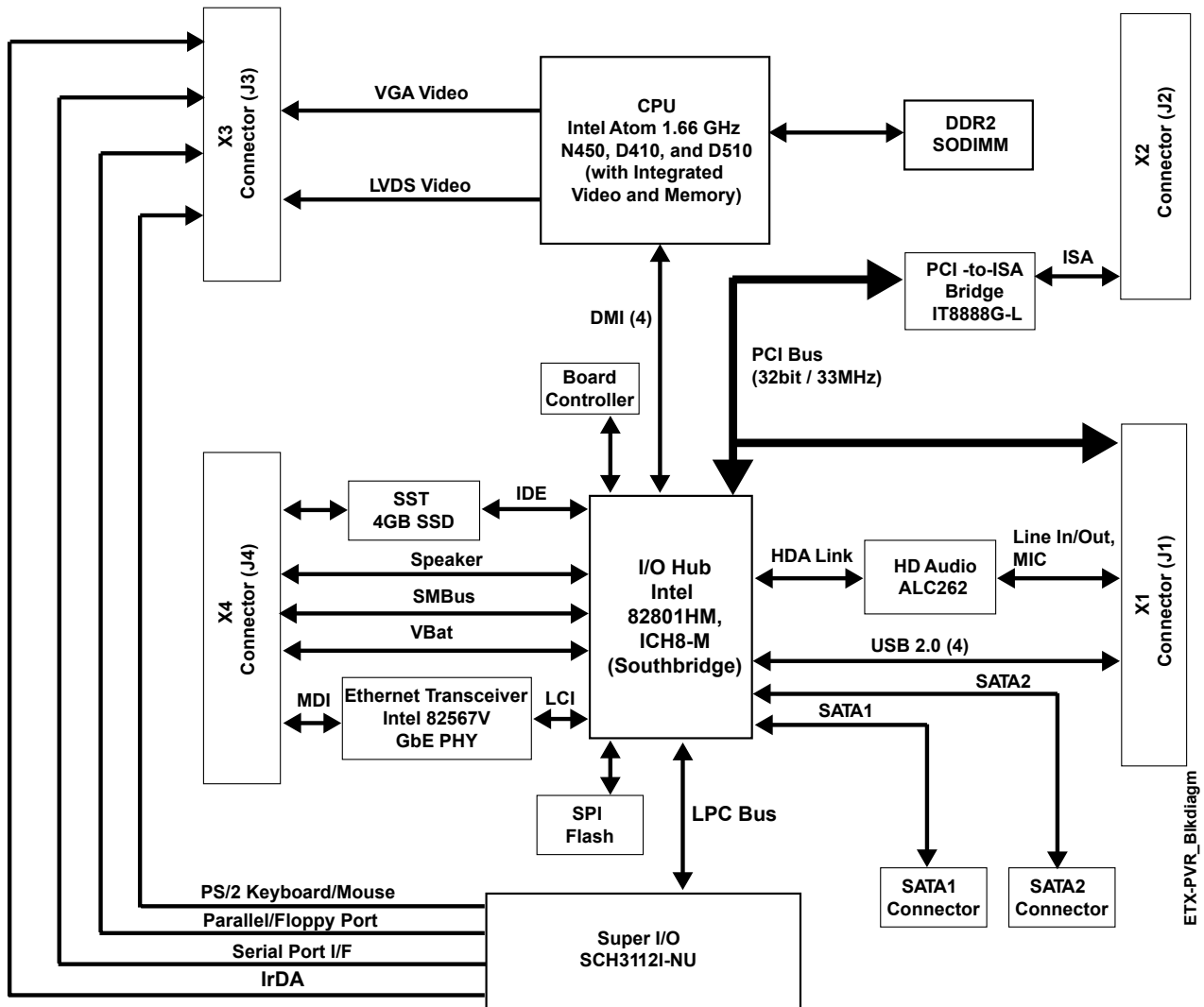
Vibration – Operating: 11.95 Grms, 50-2000 Hz, each axis, MIL-STD-202G Method 214A

#### Operating Systems

Standard Support – Linux, Windows CE 6.0, Windows XPe, VxWork 6.7, QNX 6.4\*

\*Note: Available upon request or contact us for more software support

## Functional Diagram



## Ordering Information

### Modules

Model Number	Description/Configuration
ETX-PVR-R-24	ETX-PVR Module with Intel® Atom™ N455 Single Core Processor at 1.66 GHz, 512KB L2 Cache, 18 bit LVDS, PCI, LPC, SSD
ETX-PVR-R-26	ETX-PVR Module with Intel® Atom™ D425 Single Core Processor at 1.8 GHz, 512KB L2 Cache, 18 bit LVDS, PCI, LPC, SSD
ETX-PVR-R-28	ETX-PVR Module with Intel® Atom™ D525 Dual Core Processor at 1.8 GHz, 1MB L2 Cache, 18 bit LVDS, PCI, LPC, SSD
ETX-PVR-L-24	ETX form factor starter kit for ETX-PVR-R-24 includes ETX-Proto Baseboard and HW/Kit, HTS-PVR-BT heatspreader and 1GB SODIMM. USB stick with BSP/ drivers and manuals
ETX-PVR-L-28	ETX form factor starter kit for ETX-PVR-R-28 includes ETX-Proto Baseboard and HW/Kit, THSF-PVR-BT active heatsink and 2GB SODIMM. USB stick with BSP/drivers and manuals.