



Features

- Low power AMD Geode™ LX 800
- Display support for VGA, TFT LVDS, and TV-out
- USB 2.0, Serial ATA and IDE support
- Optional 128/256 MB DDR soldered onboard
- Serial Console, EEPROM CMOS backup, USB boot legacy

Specifications

Core System

CPU	AMD Geode™ LX 800 CPU 500 MHz
Memory	Single SODIMM socket for up to 512 MB DDR at 333/400 MHz Optional 128/256 MB DDR at 333/400 MHz soldered on module Total memory support 768 MB
Chipset	AMD Geode™ CS5536 companion device
BIOS	Phoenix® AWARD 2 Mb Flash BIOS with ACPI and APM 1.2 power management with console redirection and CMOS backup in onboard EEPROM
Hardware Monitor	Supply voltages and CPU temperature
Watchdog Timer	255-level timer generates system reset
Expansion Busses	16-bit ISA and 32-bit PCI rev. 2.2

Video

Chipset	Integrated on AMD Geode™ LX
CRT Interface	Analog VGA support up to QXGA 1920 x 1440 resolution
LVDS Interface	24-bit TFT supports resolutions up to 1280 x 1024 x 24-bit at 60 Hz
TV-out (optional)	VT1622A, supports NTSC/PAL

Audio

Chipset	Integrated on CS5536
Audio Codec	AC'97 Realtek ALC655 codec

LAN

Chipset	Intel® 82551QM
Interface	10BASE-T/100BASE-TX with TCP/UDP/IP checksum off-loading and PXE boot support

Multi I/O

SATA	One port for up to two ATAPI devices with UDMA support
PATA (IDE)	Two ports for up to four ATAPI devices with UDMA support
USB	Up to four ports USB 2.0
Serial	Two high speed RS-232C
LPT/FDD	Shared
Keyboard & Mouse	One PS/2 keyboard and one PS/2 mouse

Power Specifications

Input Power	AT mode (5 V only) and ATX mode (5 V and 5 Vsb)
Power States	S0, S1, S4, S5
Power Consumption	7 W typical (LX800 with 512 MB DDR memory)

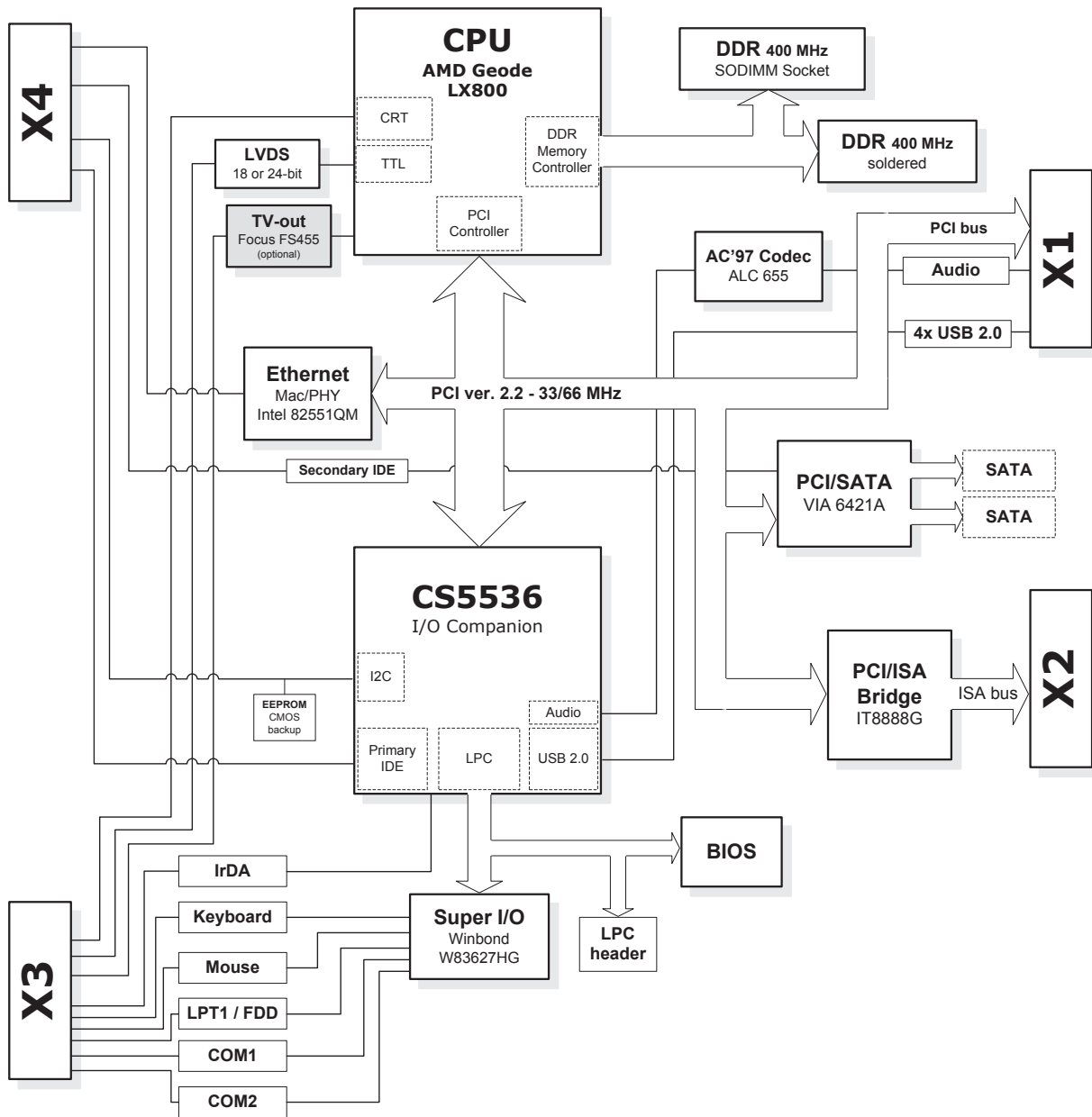
Mechanical and Environmental

Operating Temp.	0°C to 60°C
Storage Temp.	-20°C to 80°C
Humidity	5% to 90% Non-condensing
Shock	15G peak-to-peak, 11ms duration, non-operation
Vibration	Non-operation: 1.88 Grms, 5-500 Hz, each axis Operation: 0.5 Grms, 5-500 Hz, each axis
Form Factor	ETX® rev 2.7, size 95 mm x 114 mm
Certifications	CE, FCC

Operating Systems

Standard Support	Windows® XP 32-bit
	Windows® NT 2K
	Linux® 2.6.x
Extended Support	Embedded® XP BSP
	Windows® CE 5.0/6.0 BSP
	Linux® 2.6.x BSP
	AIDI I²C Library for Win32 and WinCE

Functional Diagram



Ordering Information

Modules

Model Number	Description/Configuration
ETX-GLX-800/0	AMD Geode™ LX 800 module
ETX-GLX-800/128	AMD Geode™ LX 800 module with 128 MB DDR soldered
ETX-GLX-800/256	AMD Geode™ LX 800 module with 256 MB DDR soldered

Accessories

Model Number	Description/Configuration
Heat Spreader	
HTS-GLX	Heatspreader for ETX-GLX with threaded standoffs