

ETOS-1000

Extreme Outdoor Server with
Intel® Xeon® Processor E5-2400 v2 Series



Features

- Single/Dual Intel® Xeon® Processor E5-2400 v2 series
- Six memory sockets support VLP RDIMM DDR3-1333/1600 REG/ECC up to 96 GB
- Intel® C604 Chipset
- Dual 10G SFP+ ports
- Dual 10/100/1000 BASE-T ports
- IP65 water and dust proof
- Fanless, conduction cooled, aluminum chassis

Specifications

CPU / Chipset / Memory

CPU	Single/Dual Intel® Xeon® E5-2418L v2 (6C/12T) 2.0GHz Single/Dual Intel® Xeon® E5-2428L v2 (8C/16T) 1.8GHz Single/Dual Intel® Xeon® E5-2448L v2 (10C/20T) 1.8GHz
Chipset	Intel® C604 Chipset
Memory	Six DDR3-1600/1866 240-pin VLP RDIMM sockets, up to 96 GB (up to 48GB for single CPU SKUs)

BIOS

Chip	AMI BIOS on SPI flash memory
------	------------------------------

I/O Interfaces

Ethernet	Dual 10/100/1000BASE-T RJ-45 port Dual 10G SFP+ interface
Storage	Onboard bootable 32 GB SATA flash (optional up to 256GB) Two 2.5" SATA SSD drive bays (external access)
USB	Two USB 2.0 ports on front panel
Front Panel I/O	2x USB port, 2x LAN, 2x SFP+, 1x COM port (RJ-45)
Power Input	DC 36-72V power input, supports DC-48V for Telcom

IPMI

Chip	Smart Fusion A2F500
IPMI	IPMI v2.0 based intelligent system manager & power manager. Supports temperature management for platform power manager: cold start heating, overheating, lower performance, shutdown & auto recover, self & remote diagnostic capability.

Other Features

Expansion	Mini PCIe socket onboard; PCIe x16 signals via proprietary onboard connector (max. 15W)
Packet Processing Acceleration	Intel® Communications Chipset 8920 (optional)
Operating System	Linux 6.x

Mechanical and Environmental

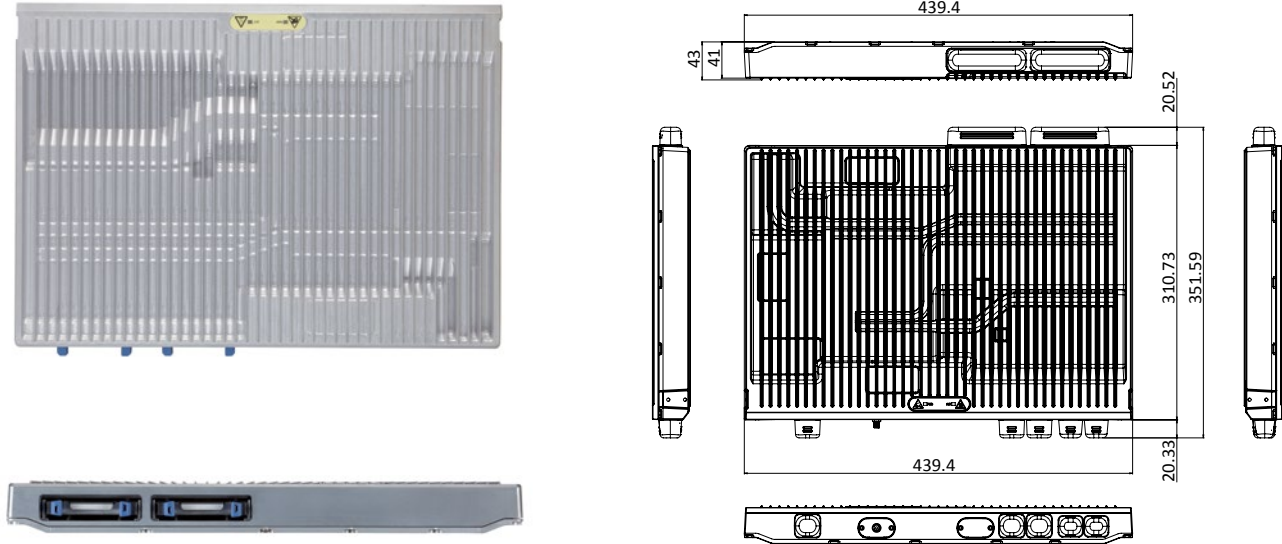
Form Factor	Fanless with aluminum conduction cooling enclosure
Dimension	340 mm x 440 mm x 44 mm (L x W x H)
Weight	10 kg
Operating Temp.	-40°C to +55°C
Storage Temp.	-40°C to +70°C
Humidity	5% to 95%, non-condensed
Shock	20G peak-to-peak, 11ms duration, non-operation
Vibration	Non-operation: 1.88Grms, 5-500Hz each axis Operation: 0.5Grms, 5-500Hz each axis
Power Consumption	400-500W
IP rating	IP65
Certification	FCC, CE, UL, NEBS Level 3 (design)

Ordering Information

Modules

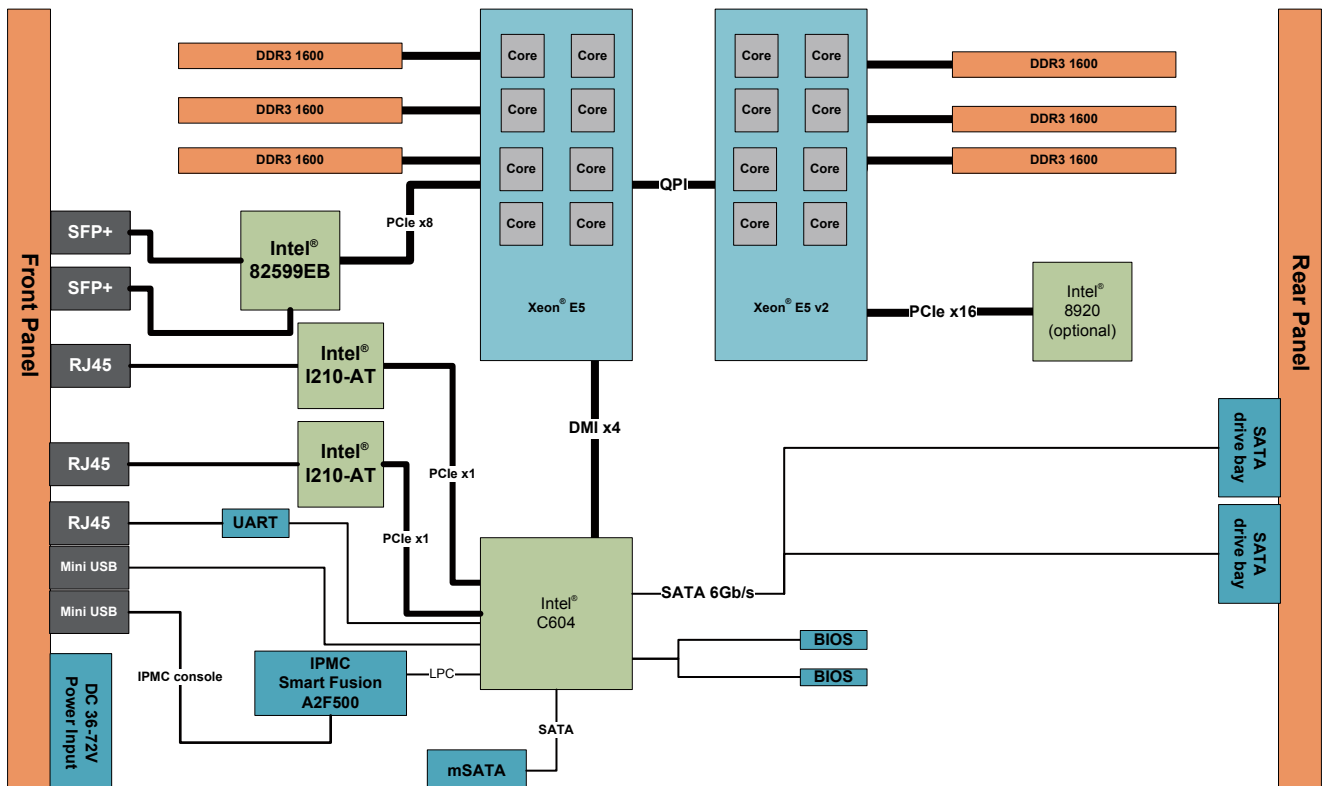
Model Number	Description/Configuration
93-99202-000E	ETOS-1000/D2418L v2/M16GB/mSATA 32GB
93-99202-100E	ETOS-1000/D2428L v2/M16GB/mSATA 32GB
93-99202-200E	ETOS-1000/D2448L v2/M16GB/mSATA 32GB

Mechanical Layout



Units: mm [inches]

Functional Diagram



Note: All specifications are subject to change without further notice.