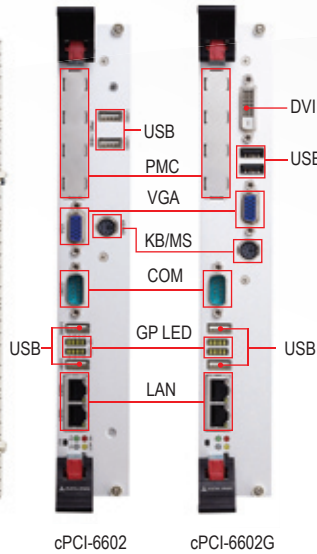
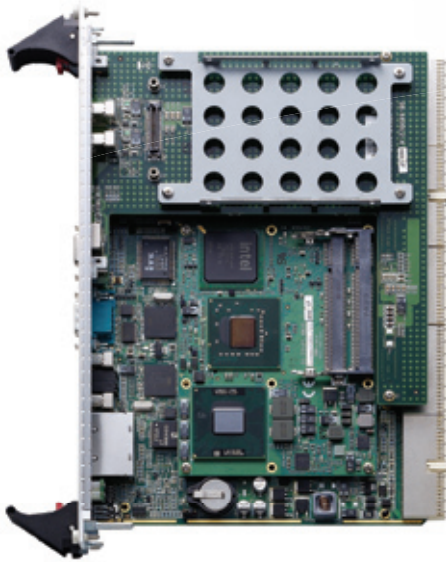


cPCI-6602 Series

6U CompactPCI® Intel® Core™2 Duo Processor SBC with GME965 Chipset



Features

- Intel® Core™2 Duo processor, up to 2.2 GHz
- Intel® GME965 and ICH8M
- Dual channel DDR2-667 SODIMM, up to 4 GB
- Optional PCI-Express® x16 interface high performance graphics
- Up to three PCI-Express® Gigabit Ethernet ports
- Storage: SATA, CF, and SCSI

Specifications

Processor System

CPU	µFC-PGA Intel® Core™2 Duo (T7500) 2.2 GHz, 800 MHz FSB, 4 MB L2 cache
Chipset	Intel® GME965 Memory Controller Hub ICH8M Controller Hub
RAM	Dual Channel non-ECC DDR2 at 667MHz, two SO-DIMM sockets, maximum up to 4 GB
BIOS	Award-Phoenix® BIOS in 4 Mb FWH
CompactPCI Bus	PCI 32-bit/33 MHz , 3.3V or 5V universal V (I/O)
PICMG standard	PICMG® 2.0 CompactPCI R3.0 PICMG® 2.1 Hot Swap R2.0 PICMG® 2.9 System Management R1.0 (v1.5) PICMG® 2.16 Packet Switch Backplane R1.0

Connectivity

PMC/XMC	One PCI™ 64-bit/66 MHz PMC slot
Ethernet	Three PCI-Express® Intel® 82573 single port controllers Two 10/100/1000BASE-T front panel ports Two 10/100/1000BASE-T PICMG® 2.16 ports (one is shared with front port)
Graphics	cPCI-6602: Integrated in GME965, one analog CRT port with up to 2048x1536 resolution cPCI-6602G: - AMD 3D GPU M72-CSP128 on native PCI-Express® x16 interface - 128 MB GDDR3 memory - Independent display on digital DVI port and analog CRT port
USB	Four USB 2.0 ports on front, two on RTM
PS/2	One PS/2 KB/MS combo port
Serial Port	One front panel DB-9 RS-232 serial port
Parallel	One printer port on RTM
Floppy	Onboard pin header on RTM

Storage

SBC	SATA port for 2.5" HDD direct mounting (cPCI-6602 only) 7-pin SATA signal port for external HDD (cPCI-6602G only) CompactFlash slot onboard
RTM	2x 7-pin SATA port onboard for external HDDs Legacy floppy port

Operating System

OS	Microsoft Windows® XP Professional Red Hat Linux® 9.0
----	--

Miscellaneous

LED	Power, WDT, Hot Swap, HDD General Purpose software programmable or Post Code LEDs (x8)
Battery	Coin cell Lithium Battery onboard for RTC CMOS RAM for BIOS configuration
Hardware Monitor	Integrated in super I/O IT8712F, monitoring CPU temperature, system temperature, CPU Vcore and DC voltages
WatchDog Timer	Integrated in super I/O IT8712F, two stage watchdog timer

Mechanical & Environmental

Form Factor	6U 8HP (dual-slot) CompactPCI 233.33mm x 160mm (L x W)
Operating Temp.	0 to 60°C standard with external air flow
Storage Temp.	-40 to 80°C
Rel. Humidity	90%, non-condensing
Shock	15G peak-to-peak, 11ms duration, non-operation
Vibration	Operation: 0.5Grms, 5-500Hz, each axis Non-operation: 1.88Grms, 5-500Hz, each axis
Power Consumption	TBD

Safety & EMI

Certifications	CE, FCC Class A
----------------	-----------------

I/O Table

Function	cPCI-6602		cPCI-6602G		cPCI-R6602	
	Face-plate	Onboard	Face-plate	Onboard	Face-plate	Onboard
GbE port1	Y		Y			
GbE port2	Y		Y		Y (J3), 2.16	
GbE port3					Y (J3), 2.16	
USB 2.0	Y x4		Y x4		Y (J4) x2	
VGA	Y		Y			
DVI-D			Y			
RS-232	Y		Y			
PS/2 KB/MS	Y		Y			
Compact Flash		Y		Y		
SATA150		Y (for 2.5" HDD direct connection)		Y (7-pin)		Y (J3) x2 (7-pin)
PMC	Y		Y			
Floppy						Y (J5)
Printer port					Y (J5)	
SCSI					Y (68-pin)	Y (68-pin)
GP LED	Y x4		Y x4			
Programmable LED	Y x8		Y x8			
Reset Button	Y		Y			

Ordering Information

Model Number	Description/Configuration
CPU Board	
cPCI-6602	Dual slot 6U cPCI Core™2 Duo host SBC with 2x SODIMM sockets 2x GbE, 4x USB, RS-232, SATA, CF and VGA port (without CPU and memory)
cPCI-6602G	Dual slot 6U cPCI Core™2 Duo host SBC with 2x SODIMM sockets, 2x GbE, 4x USB, RS-232, SATA, CF and DVI and analog VGA port (without CPU and memory)
cPCI-6602G/T75/M2G	Dual slot 6U cPCI with Core™2 Duo 2.2GHz processor and 2x 1GB SODIMM
Rear Transition Module	
cPCI-R6602	Rear Transition Module for cPCI-6602(G) with 2xGbE, 2x USB, LPT, FDD, 68-pin SCSI and SATA x2

