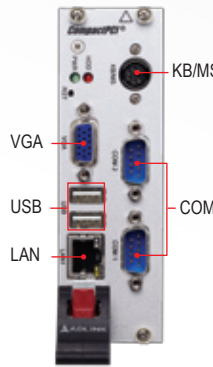
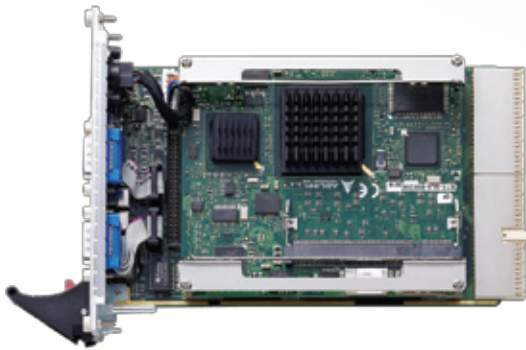


# cPCI-3600 Series

3U CompactPCI® Processor Blade with  
AMD Geode™ LX 800 @ 0.9W

3U cPCI Blades



cPCI-3600

## Features

- Low Power AMD Geode™ LX 800 @ 0.9W
- Optional 256 MB soldered DDR and additional 200-pin SODIMM socket
- VGA on front or rear supporting up to 1920 x 1440 32-bit resolution
- Supports two USB 2.0, two Fast LAN, two serial ports and AC'97 Audio
- IDE, CompactFlash® and rear Floppy storage
- Under 10W power consumption and Fanless Operation



## Specifications

### Processor & System

CPU	AMD Geode™ LX 800 CPU 500 MHz, 128 KB L2 cache
Chipset	AMD Geode™ CS5536 companion device
RAM	Supports optional 256 MB soldered DDR-400 SDRAM and one 200-pin SODIMM socket, up to 1 GB
BIOS	Award-Phoenix 2 Mb flash memory
CompactPCI Bus	32-bit/33 MHz CompactPCI® Bus, universal V (I/O)
PICMG standard	PICMG® 2.0 CompactPCI® R3.0

### Connectivity

Ethernet	Two 10/100BASE-T Ethernet ports supported by Intel® 82551QM controller
Graphics	Integrated in the AMD Geode™ LX 800 1920 x 1440 32-bit bpp at 85 Hz DB-15 VGA interface on front or rear panel by switch selection
USB	Two USB 2.0 on front panel, optional one USB port on RTM on request
PS/2	PS/2 Keyboard Mouse Combo port on front panel
Serial Port	Two DB-9 RS-232 ports on front panel

### Storage

SBC	CompactFlash socket on board 44-pin IDE connector for 2.5" HDD
RTM	One floppy port onboard

### Operating System

OS	Microsoft® Windows® XP Fedora™ Core 6
----	--

### Miscellaneous

LED	Power, HDD
Battery	Coin cell lithium battery for RTC CMOS RAM
Hardware Monitor	Integrated in Winbond W83627HG, monitors supply voltages and CPU temperature
Watchdog Timer	255-level timer generates system reset

### Mechanical & Environmental

Form Factor	3U 8HP CompactPCI® 100 mm x 160 mm (L x W)
Operating Temp.	0°C to +60°C -20°C to +70°C extended temperature (optional)
Storage Temp.	-40°C to +80°C
Rel. Humidity	20-90% non-condensing
Shock	15 G peak-to-peak, 11 ms duration, non-operation
Vibration	Operating: 0.5 Grms, 5 to 500 Hz, each axis Non-operating: 1.88 Grms, 5 to 500 Hz, each axis
Power Consumption	Full Load 7W (+5 V at 1.4 A); Typical Load 6 W (+5 V at 1.1 A) AMD Geode™ LX 800 with 1 GB socket memory & 40 GB IDE HDD

### Safety & EMI

Certifications	CE, FCC Class A
----------------	-----------------

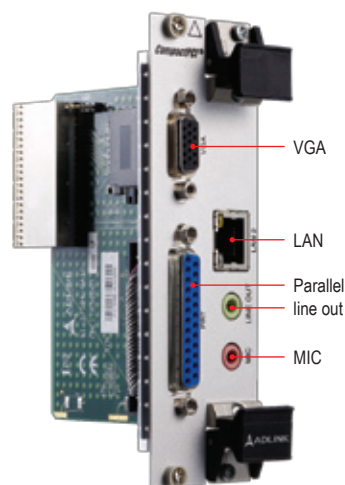
## I/O Table

		Audio	CF	USB 2.0	Fast LAN	COM	LPT*	VGA	PS/2 KB/MS	IDE HDD	LED	Reset Button	Floppy*
<b>SBC</b>													
cPCI-3600	Face-plate			2	1	2		1	1		1	1	
	On-board		1							44-pin			
<b>RTM</b>													
cPCI-R3600(T)	Face-plate	2			1		1	1					
	On-board												1

Note\* : LPT and Floppy cannot be used simultaneously, and selected by BIOS

## Ordering Information

Model Number	Description/Configuration
<b>CPU Board</b>	
cPCI-3600/LX800	2-slot 3U CompactPCI® with AMD Geode™ LX 800 without memory
cPCI-3600/LX800/256	2-slot 3U CompactPCI® with AMD Geode™ LX 800 and soldered 256 MB DDR400 memory
cPCI-3600/LX800-256/M512	2-slot 3U CompactPCI® with AMD Geode™ LX 800 and soldered 256 MB and 512 MB DDR400 SODIMM
cPCI-3600/LX800/M1G	2-slot 3U CompactPCI® with AMD Geode™ LX 800 and 1 GB DDR400 SODIMM without soldered memory
<b>Rear Transition Module</b>	
cPCI-R3600	3U 2-slot Rear Transition module for cPCI-3600, 50 mm
cPCI-R3600T	3U 2-slot Rear Transition module for cPCI-3600, 80 mm



cPCI-R3600