



Coming Soon



### Features

- Single core AMD® Fusion® APU
- Up to 4GB DDR3 RAM
- AMD® Radeon™ HD6250 graphic
- LVDS: 1920 x 1200 resolution
- Gigabit Ethernet, 4x USB 2.0
- SATA 6 Gb/s port
- High Definition Audio
- Power consumption: from 6 to 7 W
- Extended temperature range: -40°C to +85°C
- Supports Smart Embedded Management Agent (SEMA) functions

### Specifications

#### Core System

|                       |   |
|-----------------------|---|
| Processor             | Single core AMD® Fusion® APU<br>AMD® T16R (1C), 615MHz, 4.5W  |
| Memory                | Up to 4GB DDR3-1066 SO-DIMM   |
| Embedded BIOS         | EFI<br>2x SPI Flash (fail save)<br>Coreboot Supported   |
| Cache                 | 32KB I-Cache, 32KB D-Cache<br>512-KB L2 Cache   |
| Expansion Busses      | PCI-104 (PCI)   |
| SEMA Board Controller | Supports: Voltage/Current monitoring, Power sequence debug support, AT/ATX mode control, Logistics and Forensic information, Flat Panel Control, General Purpose I°C, Failsafe BIOS (dual BIOS), Watchdog Timer and Fan Control |

#### Video

|                     |                             |
|---------------------|-----------------------------|
| GPU Feature Support | Radeon HD6250, 280MHz       |
| VGA                 | Yes                         |
| LVDS                | Dual channel 18/24-bit LVDS |

#### Audio

|             |        |
|-------------|--------|
| Audio Codec | ALC886 |
|-------------|--------|

#### Ethernet

|               |  |
|---------------|--|
| Intel MAC/PHY | 1x Intel® i210 (MAC/PHY) Ethernet controller |
| Interface     | 10/100/1000 GbE connection                   |

#### Multi I/O and Storage

|      |                |
|------|----------------|
| SATA | 1x SATA 6 Gb/s |
| USB  | 4x USB 2.0     |
| GPIO | 9x             |

#### Power

|                   |                                      |
|-------------------|--------------------------------------|
| Standard Input    | ATX = 5V±5% / 5Vsb ±5%<br>AT = 5V±5% |
| Management        | ACPI 3.0 compliant                   |
| Power States      | C1e - C5                             |
| Power Consumption | ~ 6-7 W                              |

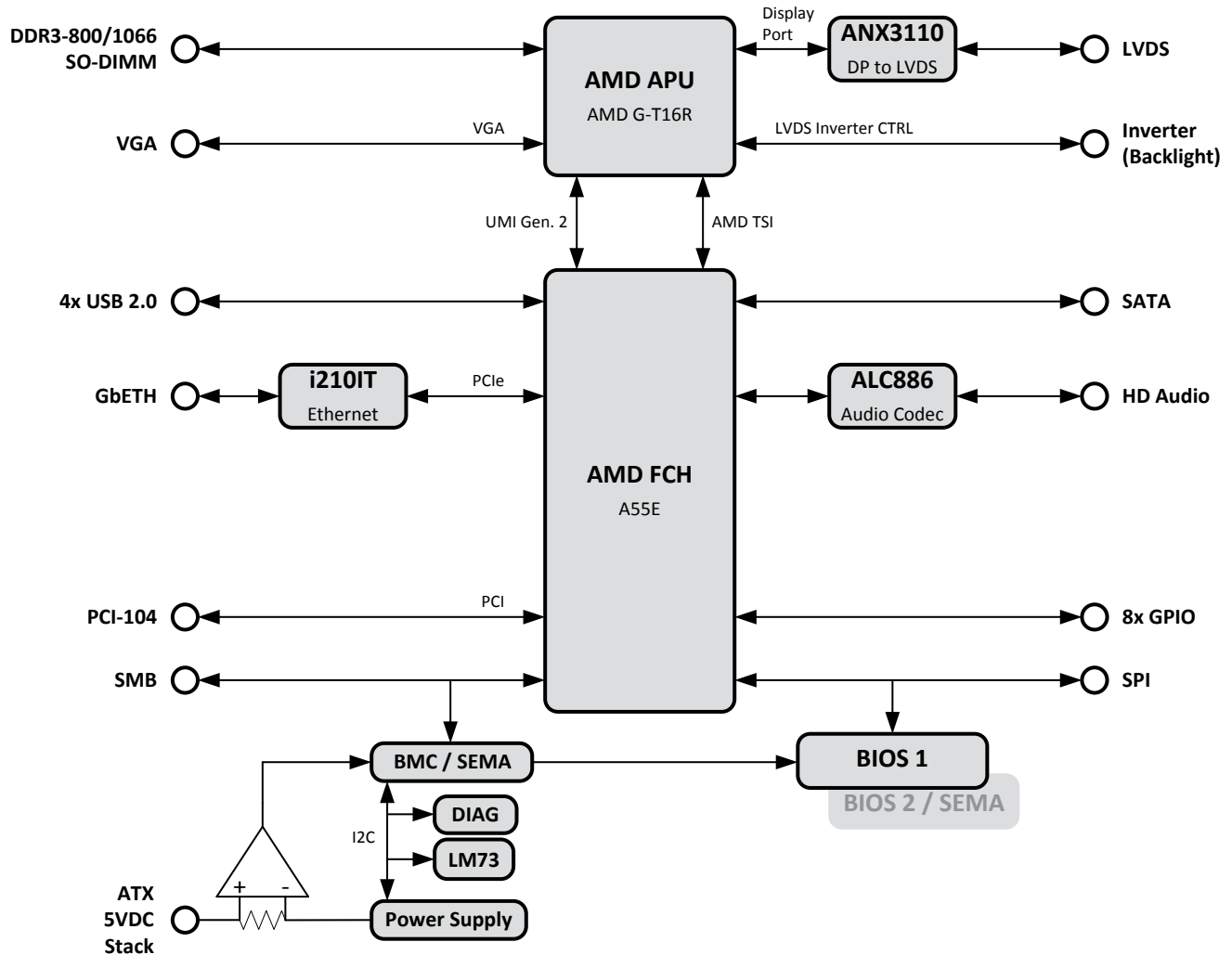
#### Mechanical and Environmental

|                       |   |
|-----------------------|---|
| Form Factor           | PCI-104 Specification v1.1  |
| Dimension             | 90 mm x 96 mm   |
| Operating Temperature | Standard Operating Temperature: 0°C to 60°C<br>Industrial Operating Temperature: -20°C to 70°C<br>Extreme Rugged Operating Temperature: -40°C to 85°C |
| Humidity              | 5-90% RH operating, non-condensing<br>5-95% RH storage (and operating with conformal coating)   |
| Shock and Vibration   | IEC 60068-2-64 and IEC-60068-2-27<br>MIL-STD-202F, Method 213B, Table 213-I, Condition A and Method 214A, Table 214-I, Condition D                    |
| HALT                  | Thermal Stress, Vibration Stress, Thermal Shock and Combined Test   |

#### Operating Systems

|                  |   |
|------------------|---|
| Standard Support | Windows XP, Windows XPe, Windows 7, Windows Embedded Standard 7, Linux, VxWorks |
|------------------|---|

## Functional Diagram



## Ordering Information

### Modules

| Model Number | Description/Configuration  |
|--------------|--|
| 704-0007-10  | PCI-104, CM3-GF, AMD® T16R APU, 615 MHz, Single Core, incl. heat spreader, 0°C to 60°C   |
| 804-0007-10  | PCI-104, CM3-GF, AMD® T16R APU, 615 MHz, Single Core, incl. heat spreader, -20°C to 70°C |
| 904-0007-10  | PCI-104, CM3-GF, AMD® T16R APU, 615 MHz, Single Core, incl. heat spreader, -40°C to 85°C |

### Accessories

| Model Number | Description/Configuration               |
|--------------|---|
| 760-0029-10  | RAM, DDR3, SO-DIMM, 2GB, 0°C to +60°C   |
| 960-0029-10  | RAM, DDR3, SO-DIMM, 2GB, -40°C to +85°C |
| 760-0030-10  | RAM, DDR3, SO-DIMM, 4GB, 0°C to +60°C   |
| 960-0030-10  | RAM, DDR3, SO-DIMM, 4GB, -40°C to +85°C |
| 763-0022-11  | Cable set, CM3-GF                       |
| 765-0049-11  | Heat sink, passive, CMx-GF              |