

# BFS-15W02

Intel® Atom™ Processor D2550  
15.6" Smart Touch Computer



## Features

- Intel® new generation CPU - Cedar View D2550
- 15.6" 16:9 Color Active Matrix TFT flat panel display with LED backlight
- Easy to clean, full-flat touch panel
- Front panel complies with IP54 protection standard
- Low power consumption and fanless
- VESA 75 mm/ 100 mm mounting holes for varied mounting demands
- VGA output for 2nd monitor

## Specifications

### Display

Display Description	Color Active Matrix TFT flat panel display with LED backlight
Display Size	15.6 inch, 16:9
Resolution 1	366 x 768, 18-bit
Brightness	200 nits
Contrast Ratio	400:1 typical
Touch Screen	5-wire resistive antiglare
Chassis	Die-cast aluminum

### Environmental

Operating Temperature	0 °C to 50 °C
Nonoperating Temperature	-20 °C to 60 °C
Relative Humidity	10% to 90% @ 40°C (non-condensing)
Vibration, Operating	1G random 5 to 500Hz
Shock, Operating	10G peak acceleration 11ms duration
Ratings	IEC IP54 on the front and top
Certifications & Compliance	CE, CB, UL, FCC ClassB, VCCI & RoHS/Reach

### Motherboard and System Components

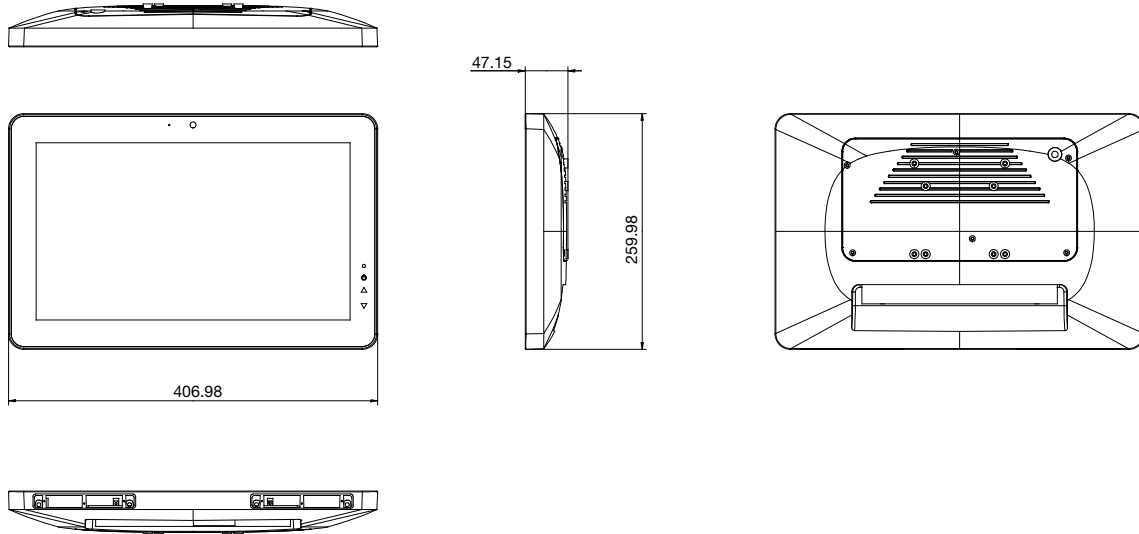
Processor	Intel® Atom™ Processor D2550 with NM10 Express Chip
Main Memory	4GB (DDR3 SO-DIMM)
Storage Drive	320GB HDD (2.5" SATA-II)
I/O Port	2x Gigabit Ethernet LAN port 2x USB 2.0 ports (USB HUB) 2x USB 2.0 ports 1x RS-232 port (RJ45 connector) 1x RS-232/422/485 port (RJ45 connector, BIOS-selectable) 1x VGA output for 2nd monitor 1x 4-pin mini-DIN for DC-IN 1x power button
Speaker	2x built-in 1W stereo speakers
Webcam	Front: 2M FF, 2.0M pixels
WiFi	802.11 b/g/n
Operating Systems	Windows Embedded Standard 7 Premium pre-loaded

### Power

Input Voltage	24VDC
Power Consumption	20W

## Dimensions

Unit: mm



## Mechanical

Weight	6kg w/o stand
Dimensions (H x W x D)	406 x 310 x 47mm w/o stand 406 x 341 x 47mm w stand
Mounting Options	VESA Mount (MIS-D 100/75mm)

## Ordering Information

Product Name	Description
BFS-15W02-V	<ol style="list-style-type: none"> <li>1. VESA Mount type</li> <li>2. HDD 320G</li> <li>3. Memory 4G</li> <li>4. WiFi module - 802.11 b/g/n</li> <li>5. Webcam - 2.0MP</li> <li>6. Windows Embedded Standard 7 pre-loaded</li> </ol>