

aTCA-3400

20-Port 10GbE AdvancedTCA® Fabric Switch Blade



Features

- 24-port Gigabit Ethernet Base Interface switch
- 20-port 10Gigabit Ethernet Fabric Interface switch
- Twelve Node ports, PICMG® 3.1 Option 9
- Broadcom BCM56800 + BCM56312 multilayer switch
- COM Express™ Intel® Pentium® M 1.4 GHz control plane processor

Specifications

Control Plane

CPU	COM Express™ Module, Intel® Pentium® M 1.4 GHz
Memory	DDR2-533 SODIMM up to 1 GByte
Storage	4GB soldered USB flash disk
Bus	32-bit/66 MHz PCI Bus
Management	10/100/1000BASE-T (RJ45) RS-232 serial console (RJ45) USB 2.0 Type A port

Data Plane

Switch Fabric	Broadcom® BCM56800 20-port 10GbE multilayer switch Broadcom® BCM56312 24-port GbE multilayer switch
---------------	--

Base Interface

Channels	Twelve 10/100/1000BASE-T Base Interface channels, for 14-slot systems
Egress	Two 10/100/1000BASE-T and one 10 GbE SFP+ egress ports
ShMC Port	Two 10/100BASE TX ShMC ports compliant to PICMG® 3.0 R2.0 ECN001
Inter-Switch	One 10/100/1000BASE-T inter-switch link

Fabric Interface

Channels	Thirteen 10GBASE-KX4 Fabric Interface channels, for 14-slot systems
Egress	Eight 10GbE front panel egress SFP+ ports (1 port optionally switched from backplane)

Mechanical and Environmental

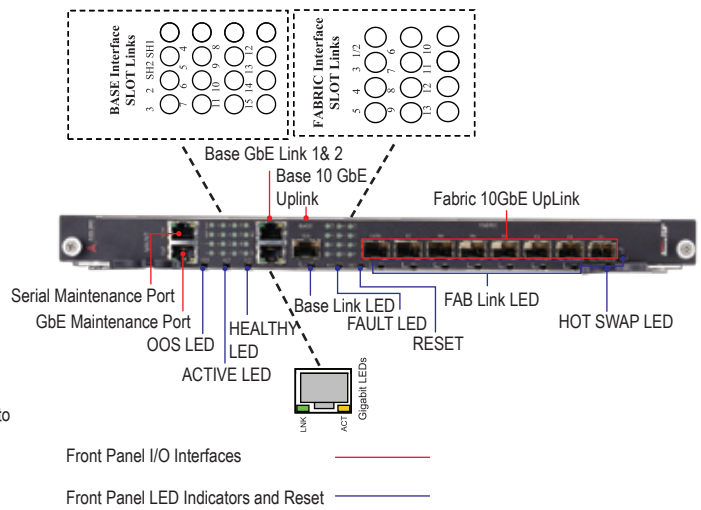
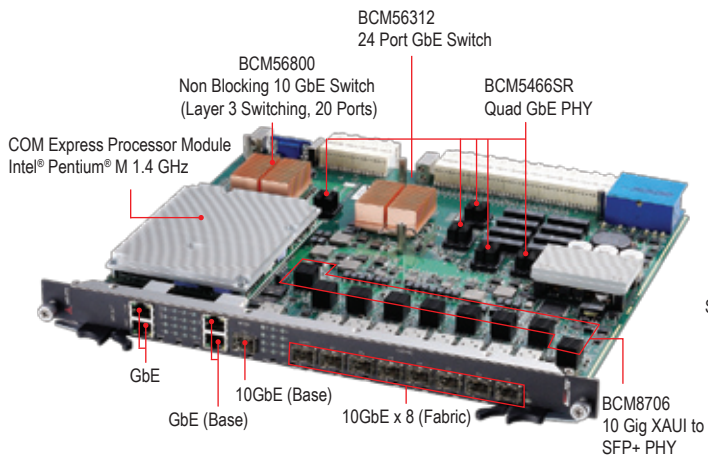
Form Factor	PICMG® 3.0 R 2.0 ECN001 AdvancedTCA®
Dimensions	322.25mm x 280mm x 6HP (L x W x H)
Weight	2 kg / 4.4 lbs
Operating Temp.	0°C to 55°C
Storage Temp.	-20°C to 80°C
Humidity	5% to 95%, non-condensed
Shock	15G peak-to-peak, 11ms duration, non-operation
Vibration	Non-operation: 1.88Grms, 5-500Hz each axis Operation: 0.5Grms, 5-500Hz each axis
Power Consumption	86 W
Certifications	FCC, CE, UL/LVD, C-Tick, VCCI, NEBS Level 3 (design)

Ordering Information

Modules

Model Number	Description/Configuration
aTCA-3400	20-Port 10 GbE AdvancedTCA® Fabric Switch Blade

Mechanical Layout



Functional Diagram

